

LOW PRESSURE NOMINAL FILTERS AND ADAPTERS

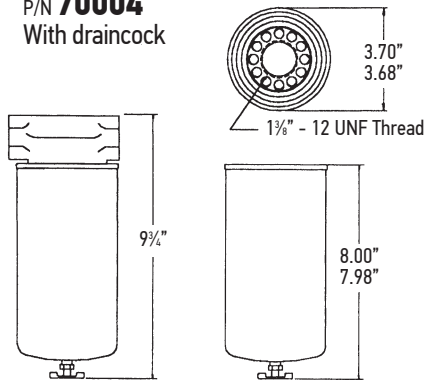
Liquidynamics offers a wide range of water absorption and nominal particulate filters for use with oil, diesel and gasoline. Maximum flow ranges are from 15 GPM for your dispenser type

pumps to 40 GPM for truck service applications. Included are filter elements utilizing a 1" flow path to minimize the pressure drop for gravity flow applications.

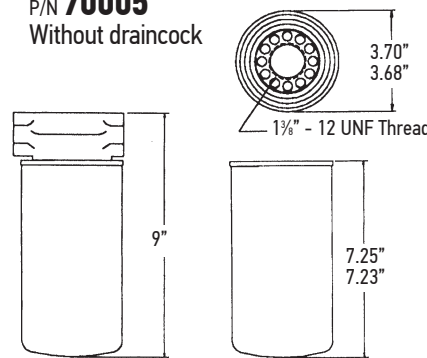
Note: Not for use in filtering aviation fuels.

Filter Part Number	Hydrosorb	Particulate Micron Rating	with Draincock	Max. Flow Rate	Case Qty.	Flow Port Size	Recommended Adapters				Thread Type
							Aluminum		Iron		
							3/4"	1/2"	3/4"	1"	
70002	—	10μ	Yes	18 GPM (67 LPM)	6	3/4"	50181	—	50003	50002	NPT
70003	—	10μ	No	18 GPM (67 LPM)	6	3/4"	50181	—	50003	50002	NPT
70004	—	10μ	Yes	18 GPM (67 LPM)	6	1"	—	—	—	50004	NPT
70005	—	10μ	No	18 GPM (67 LPM)	6	1"	—	—	—	50004	NPT
70061	Type 2	10μ	No	18 GPM (67 LPM)	12	1"	—	—	—	50004	NPT
70062	Type 2	10μ	No	18 GPM (67 LPM)	12	3/4"	50181	—	50003	50002	NPT
70067	Type 2	30μ	No	18 GPM (67 LPM)	12	3/4"	50181	—	50003	50002	NPT
70064	Type 2	30μ	No	15 GPM (56 LPM)	12	3/4"	50181	—	50003	50002	NPT
70019	—	10μ	No	40 GPM (150 LPM)	6	1 1/4"	—	50163	—	—	NPT
70063	Type 2	10μ	No	40 GPM (150 LPM)	6	1 1/4"	—	50163	—	—	NPT
70068	Type 2	30μ	No	40 GPM (150 LPM)	6	1 1/4"	—	50163	—	—	NPT

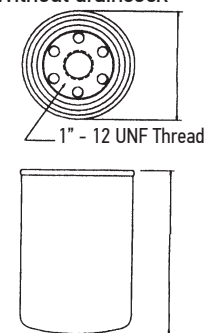
P/N **70002**
P/N **70004**
With draincock



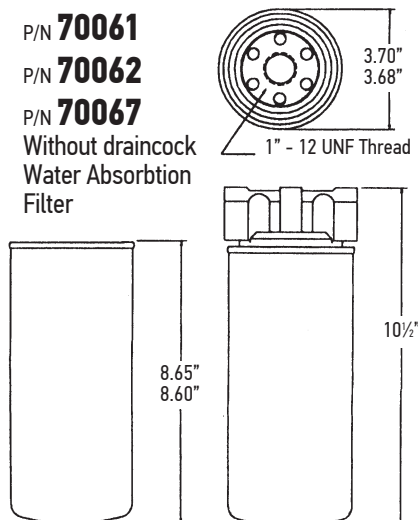
P/N **70003**
P/N **70005**
Without draincock



P/N **70064**
Without draincock



P/N **70061**
P/N **70062**
P/N **70067**
Without draincock
Water Absorption Filter



P/N **70019**
P/N **70063**
P/N **70068**
Without draincock
Water Absorption Filter

