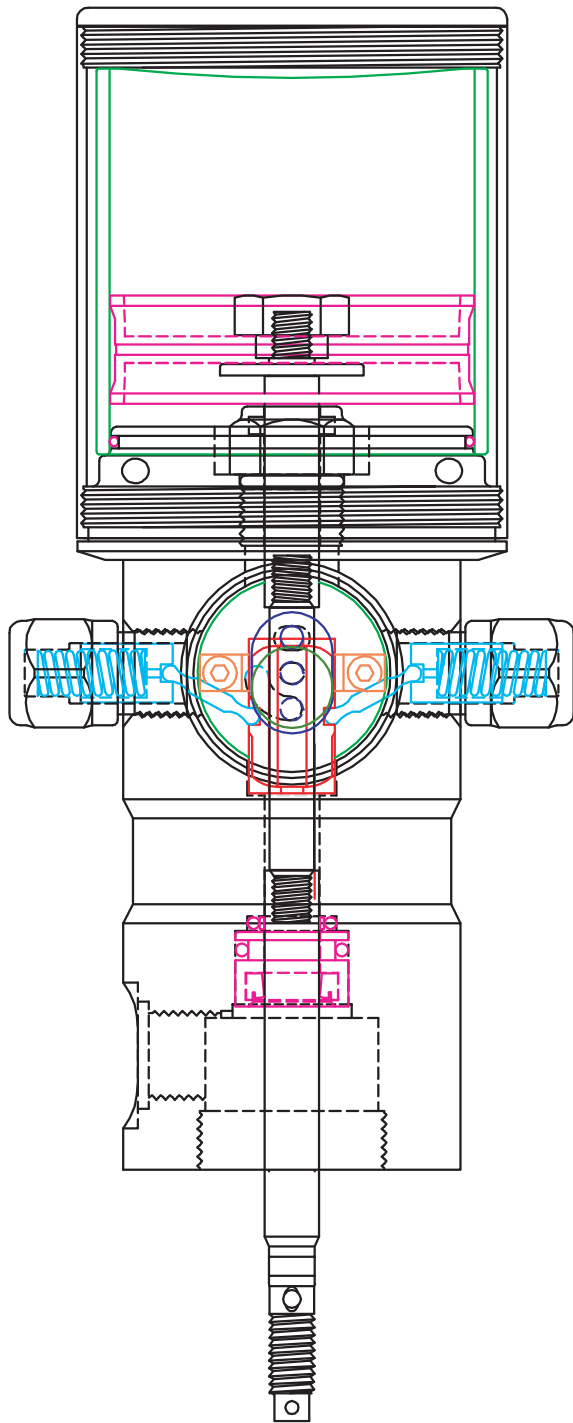


GREASE PUMP SELECTION GUIDE



Pressure Ratio 10:1

P/N **11748**

Designed for bulk transfer of grease and high viscosity oils over short distances. Has a maximum discharge pressure of 1,450 PSI and a discharge rate of over 70 lb/min. Available cam-lock connections with stingers allow this pump to be used with metal and cardboard bulk grease containers.

Pressure Ratio 13:1

P/N **11848**

Also designed for bulk transfer of grease and high viscosity oils over short distances, it has a maximum discharge pressure of 1,885 PSI and a higher discharge rate of 100 lb/min. May be used with available cam-lock connections for use with metal and cardboard bulk grease containers.

Pressure Ratio 35:1

P/N **11595**

An excellent choice for grease applications where there is a requirement for medium discharge pressure of up to 4,200 PSI and discharge rates of up to 9 lb/min. These pumps are designed to fit 420 lb drums

Pressure Ratio 60:1

P/N **11148T, 11174T AND 11195T**

These pumps produce a maximum grease pressure of 7,200 PSI and are ideal for both fixed and mobile applications. Grease output volume is sufficient for most demanding applications requiring grease transfer for distances up to 200 ft.

Pressure Ratio 80:1

P/N **11348, 11374 AND 11395**

A great combination of grease pressure and volume in one pump. With an 80:1 ratio these pumps have the capability to produce 9,600 PSI, enough to free most any "stuck" grease fitting. These pumps also have a large output volume and may be plumbed directly to 3/4" or 1/2" plumbing, minimizing pressure losses. Pumps are powerful enough to push grease to 200 ft. or greater. These pumps may be ordered with "camlock" fittings to allow them to be used with 5,000 lb. grease totes.