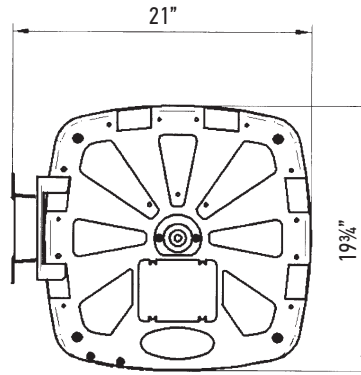
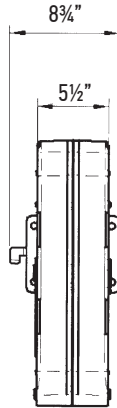
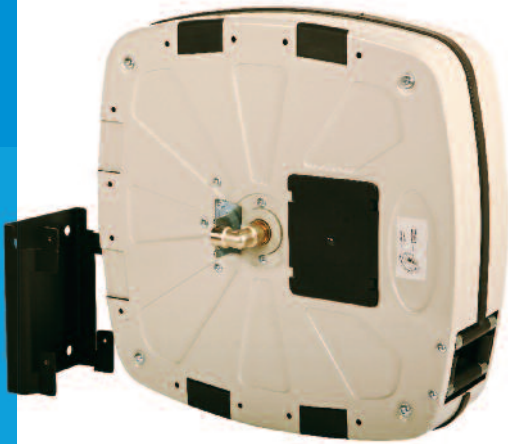


SPRING REWIND HOSE REELS – OIL

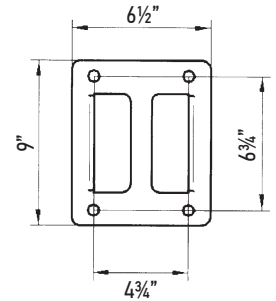
Enclosed Reel, 44002 Series:

The 44002 series enclosed reel provides hose protection from dirt, UV and physical damage as well as improved aesthetics. Enclosed reels are easy to mount via a unique “slip-on” reel mounting system. Additionally, these reels provide simple

maintenance via an easy access swivel, which can be serviced without dismounting the reel. The tempered, containerized spring allows quick and safe replacement. Reels are supplied complete with hose stop and 1/2” x 2’ jumper hose.



Mounting Pattern



	P/N 44002	P/N 44002-25L	P/N 44002-30L	P/N 44002-40L	P/N 44002-50L
Working Pressure	1,700 PSI	1,700 PSI	1,700 PSI	1,700 PSI	1,700 PSI
Hose Length	—	25 ft.	30 ft.	40 ft.	50 ft.
Hose Dia., ID	—	1/2"	1/2"	1/2"	1/2"
Inlet Connection	1/2" NPTF	1/2" NPTF	1/2" NPTF	1/2" NPTF	1/2" NPTF
Outlet Connection	1/2" NPTF	1/2" NPTM	1/2" NPTM	1/2" NPTM	1/2" NPTM
3/8" Max. Winding Capacity	60 ft.	—	—	—	—
1/2" Max. Winding Capacity	50 ft.	—	—	—	—
Connecting Hose Length	—	2 ft.	2 ft.	2 ft.	2 ft.
Shipping Weight, lb.	39	47	48	51	52

Spring Rewind Hose Reels – Large Capacity:

P/N 88501-100L

High capacity oil reel has double pedestal and double arm construction for rigidity and is powder coated for durability. Reel has 1/2” x 100’ hose with double ratchet to allow more precise hose latching, supplied with large, heavy duty hose stop. Reel arms and hose guide can be easily adjusted to allow tank/floor, wall or ceiling mounting.

1/2” NPTF inlet and 1/2” NPTM fitting at discharge side of hose
27” H x 10 1/2” W x 27” L (add 2 1/2” to width for swivel), 150 lb. shipping weight.

See page 66 for technical specifications.

