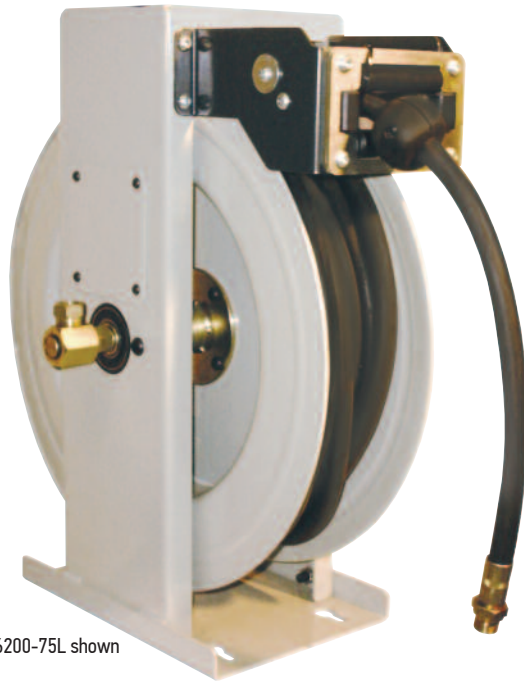


# SPRING REWIND HOSE REELS – EXTREME DUTY

These reels are intended for industrial applications where an extra heavy duty reel is required. Reels are constructed from thick gauge, powder coated steel with full double pedestal drum supports. Drum shaft is 3/4" diameter supported by ball bearings on each

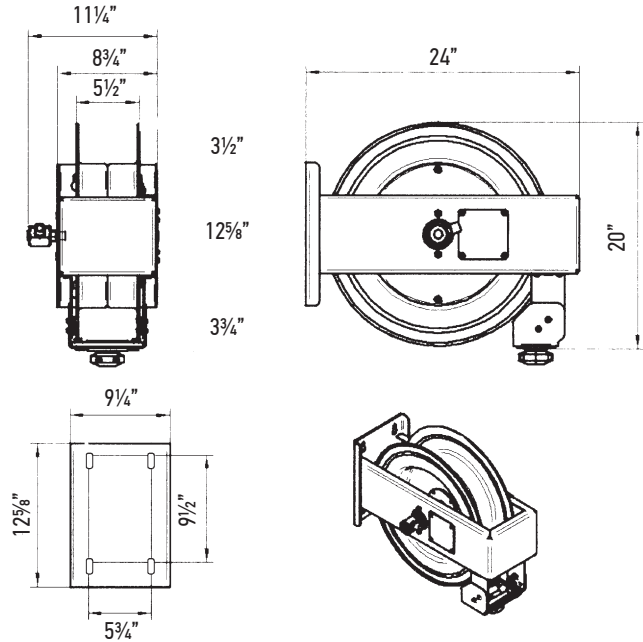
side. Inlet swivel is machined solid brass with easily accessible seals for simple maintenance.

**46200 series reels are supplied complete with ball stop and connecting hose.**



P/N 46200-75L shown

## 46200 Series



	P/N 46200	P/N 46200-50L	P/N 46200-75L	P/N 88501-100L*	P/N 46500	P/N 46501-50L	P/N 46502-40L
Working Pressure	1,700 PSI	1,700 PSI	1,700 PSI	1,700 PSI	1,160 PSI	1,160 PSI	1,160 PSI
Hose Length	—	50 ft.	75 ft.	100 ft.	—	50 ft.	40 ft.
Hose Dia., ID	—	1/2"	1/2"	1/2"	—	3/4"	1"
Inlet Connection	1/2" NPTF	1/2" NPTF	1/2" NPTF	1/2" NPTF	1" NPTF	1" NPTF	1" NPTF
Outlet Connection	1/2" NPTF	1/2" NPTM	1/2" NPTM	1/2" NPTM	1" NPTM	3/4" NPTM	1" NPTM
1/2" Max. Winding Capacity	75 ft.	—	—	—	—	—	—
1" Max. Winding Capacity	—	—	—	—	45 ft.	—	—
Connecting Hose Length	—	2 ft.	2 ft.	—	—	See Note	See Note
Shipping Weight, lb.	75	97	103	150	109	94	96

**NOTE: Order connecting hose separately to fit your specific installation.**

**\*P/N 88501-100L shown on page 64.**

## 46500 Series

