

SPRING REWIND HOSE REELS – GREASE

Open Reel, 43102, 43103 and 43104 Series:

An excellent tool to ensure a clean, efficient and safe working environment. These reels are constructed of heavy gauge, powder coated steel with a high density polypropylene hose drum (43104 has steel drum) to ensure durability and corrosion resistance. Reels have double pedestal and double arm construction for rigidity. Easy access inlet swivel design utilizes “quad” seals with PTFE backup and secondary ‘O’ Ring to ensure

long life. Hose guide arms are adjustable to allow bench, wall or ceiling mounting.

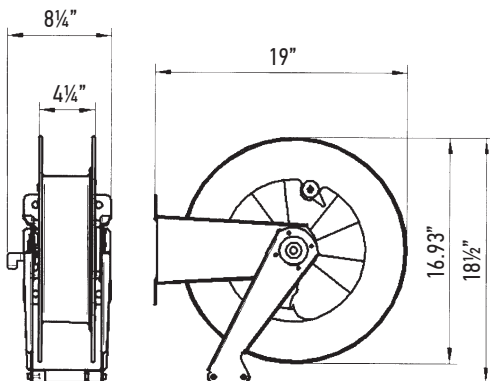
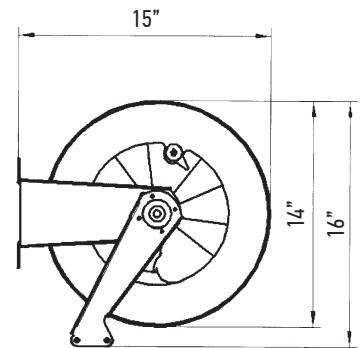
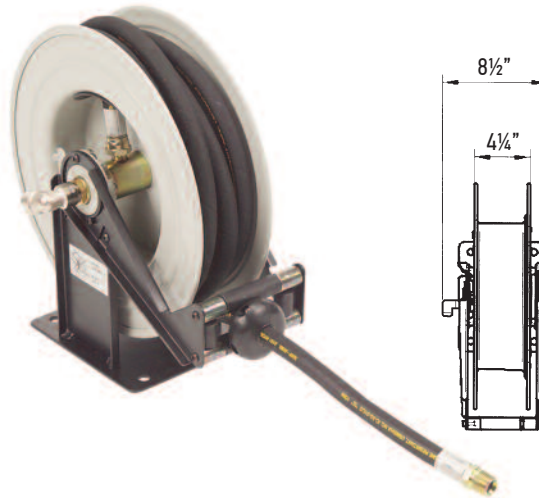
Both open and enclosed reel styles are supplied standard with rigid, fixed mounts. An optional swivel mount bracket is available for both the open and enclosed reel styles.

Reels are supplied complete with ball stop and connecting hose.

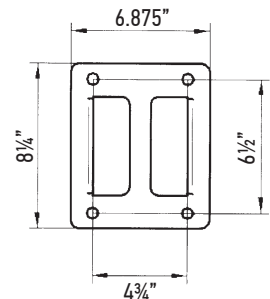
Compact Hose Reel:

P/N 43104

This compact reel offers heavy duty construction with corrosion resistant powder coated finish, fully enclosed and lubricated spring and full flow swivel to minimize pressure drop. The hose guide arm is easily adjusted to allow wall, ceiling or floor mounting.



Mounting Pattern
Common both reels.



	P/N 43102	P/N 43102-306	P/N 43102-506	P/N 43103-306	P/N 43103-506	P/N 43104	P/N 43104-256	43104-306
Working Pressure	8,700 PSI	8,700 PSI	8,700 PSI	8,700 PSI	8,700 PSI	8,700 PSI	8,700 PSI	8,700 PSI
Hose Length	—	30 ft.	50 ft.	30 ft.	50 ft.	—	25 ft.	30 ft.
Hose Dia., ID	—	1/4"	1/4"	3/8"	3/8"	—	1/4"	1/4"
Inlet Connection	1/4" NPTF	1/4" NPTF	1/4" NPTF	1/4" NPTF	1/4" NPTF	1/4" NPTF	1/4" NPTF	1/4" NPTF
Outlet Connection	1/4" NPTM	1/4" NPTM	1/2" NPTF	1/4" NPTM	1/4" NPTM	1/4" NPTM	1/4" NPTM	1/4" NPTM
1/4" Max. Winding Cap.	65 ft.	—	—	—	—	35 ft.	—	—
3/8" Max. Winding Cap.	60 ft.	—	—	—	—	30 ft.	—	—
Connecting Hose L.	—	2 ft.	2 ft.	2 ft.	2 ft.	—	2 ft.	2 ft.
Shipping Weight, lb.	28	35	40	40	45	27	33	35