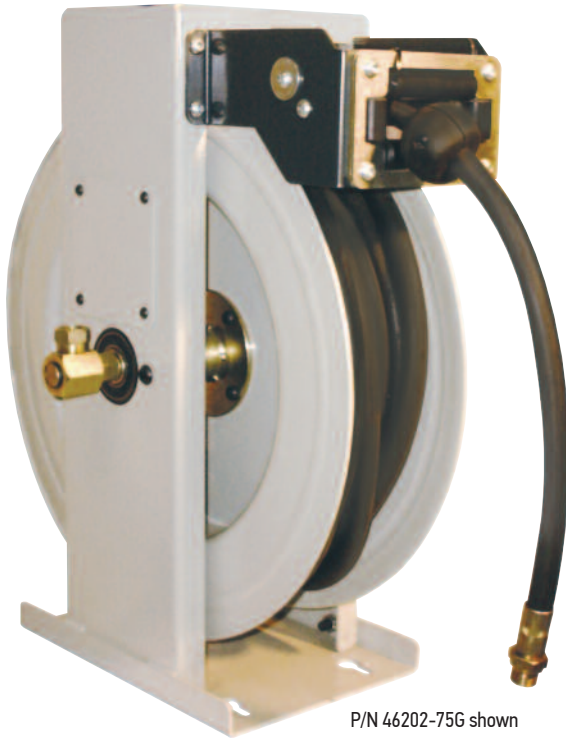


HOSE REELS – EXTREME DUTY – GREASE

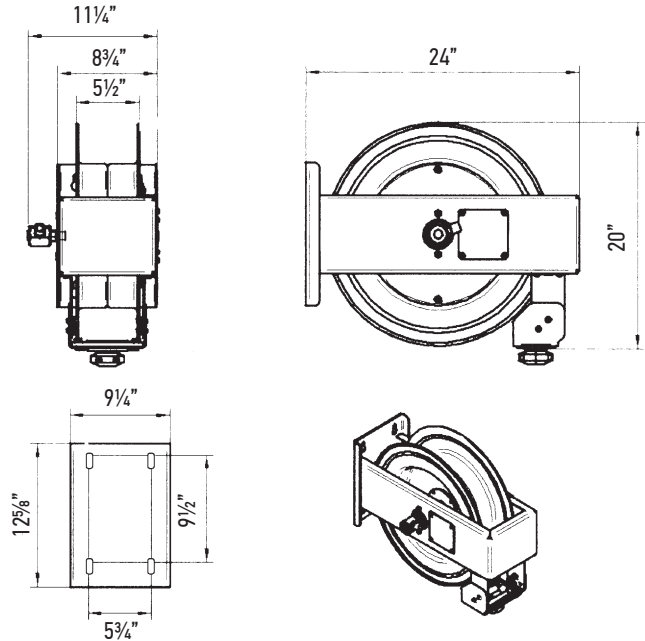
These reels are intended for extreme applications where an extra heavy duty reel is required. Reels are constructed from thick gauge, powder coated steel with full double pedestal drum supports. Drum shaft is 3/4" diameter supported by ball bearings on each

side. Inlet swivel is machined solid brass with easily accessible seals for simple maintenance.

Reels are supplied complete with ball stop and connecting hose.



P/N 46202-75G shown



	P/N 46201	P/N 46201-50G	P/N 46201-75G	P/N 46202-50G	P/N 46202-75G
Working Pressure	8,700 PSI	8,700 PSI	8,700 PSI	8,700 PSI	8,700 PSI
Hose Length	—	50 ft.	75 ft.	50 ft.	75 ft.
Hose Dia., ID	—	1/4"	1/4"	3/8"	3/8"
Inlet Connection	3/8" NPTF	3/8" NPTF	3/8" NPTF	3/8" NPTF	3/8" NPTF
Outlet Connection	1/4" NPTF	1/4" NPTM	1/4" NPTM	1/4" NPTM	1/4" NPTM
1/4" Max. Winding Capacity	80 ft.	—	—	—	—
3/8" Max. Winding Capacity	80 ft.	—	—	—	—
Connecting Hose Length	—	2 ft.	2 ft.	2 ft.	2 ft.
Shipping Weight, lb.	82	95	100	100	106