

SPRING REWIND HOSE REELS – OPEN DRUM – AIR/WATER

Open Reel, 43002 and 43003 Series:

An excellent tool to ensure a clean, efficient and safe working environment. Liquidynamics reels are constructed of heavy gauge, powder coated steel with a high density polypropylene hose drum to ensure durability and corrosion resistance. These reels are extremely rugged and are intended for heavy duty use.

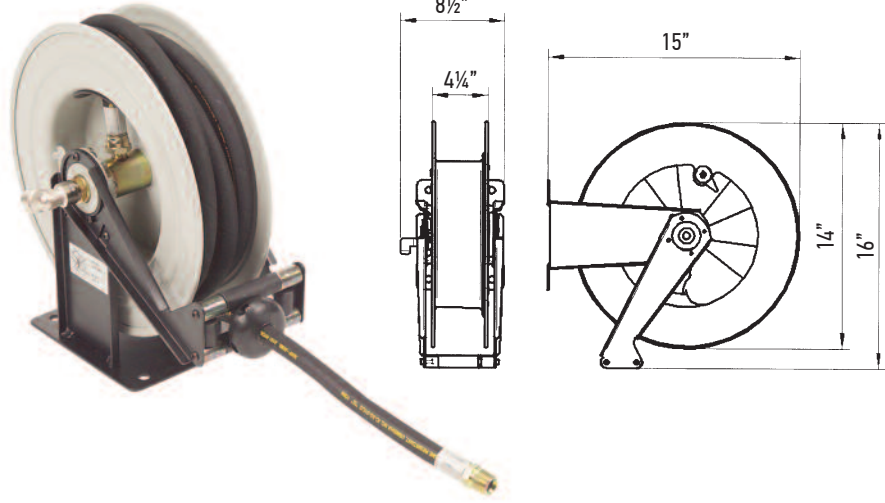
Both open and enclosed styles are supplied with a standard rigid fixed mount. An optional swivel mount bracket is available for both the open and enclosed reel styles.

NOTE: Reels are supplied complete with ball stop and connecting hose. Maximum vertical mounting height is 15'.

Compact Hose Reel:

P/N 43003-30A

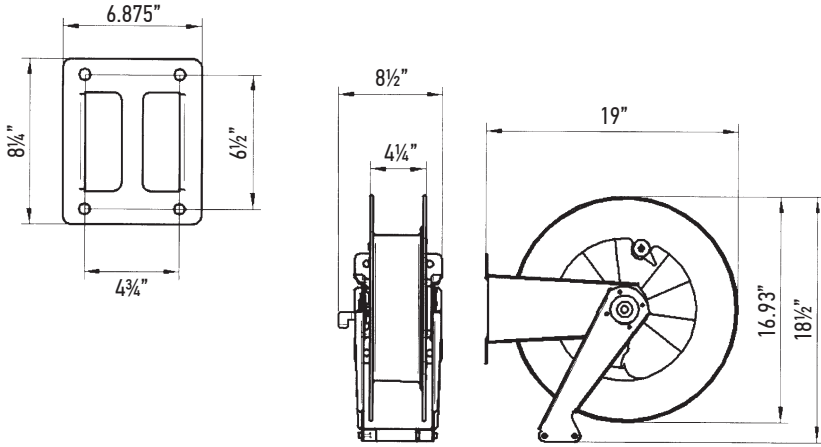
This compact reel offers heavy duty steel construction with corrosion resistant powder coated finish. Fully enclosed and lubricated spring and full flow swivel to minimize pressure drop. The hose guide arm is easily adjusted to allow wall, ceiling or floor mounting.



Mounting Pattern

Common both reels.

P/N 43002



	P/N 43002	P/N 43002-30A	P/N 43002-50A	P/N 43002-50A2	P/N 43003	P/N 43003-30A	P/N 43003-50A
Working Pressure	1,160 PSI	300 PSI	300 PSI	300 PSI	1,160 PSI	300 PSI	300 PSI
Hose Length	—	30 ft.	50 ft.	50 ft.	—	30 ft.	50 ft.
Hose Dia., ID	—	3/8"	3/8"	1/2"	—	3/8"	3/8"
Inlet Connection	1/2" NPTF	1/2" NPTF	1/2" NPTF	1/2" NPTF	1/2" NPTF	3/8" NPTF	3/8" NPTF
Outlet Connection	1/2" NPTF	3/8" NPTM	3/8" NPTM	1/2" NPTM	1/2" NPTM	3/8" NPTF	3/8" NPTF
Connecting Hose Length	—	2 ft.	2 ft.	2 ft.	—	2 ft.	2 ft.
Shipping Weight, lb.	28	34	37	42	27	32	38