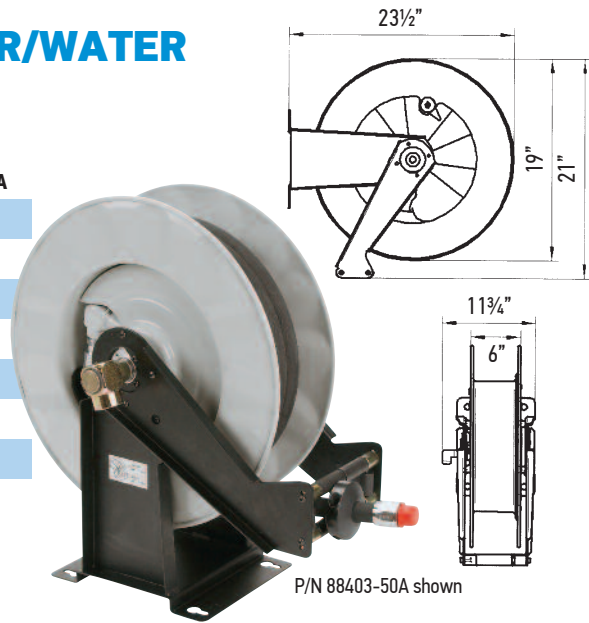


# SPRING REWIND HOSE REELS AIR/WATER

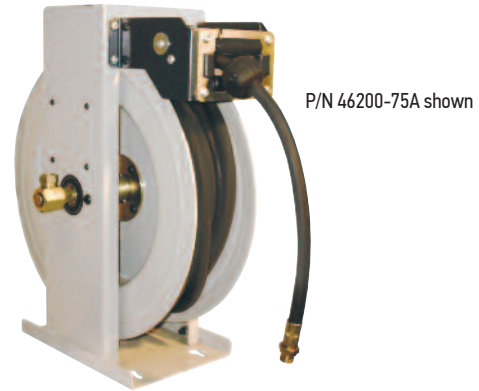
## Large Capacity, 88403 Series:

	P/N 88403	P/N 88403-50A	P/N 88403-75A
Working Pressure	1,160 PSI	250 PSI	250 PSI
Hose Length	—	50 ft.	75 ft.
Hose Dia., ID	—	1/2"	1/2"
Inlet Connection	1/2" NPTF	1/2" NPTF	1/2" NPTF
Outlet Connection	1/2" NPTF	1/2" NPTM	1/2" NPTM
3/8" Max. Winding Capacity	80 ft.	—	—
Connecting Hose Length	—	2 ft.	2 ft.
Shipping Weight, lb.	62	68	74



## Extreme Duty 46200 Series:

	46200	46200-50A	46200-75A
Working Pressure	1,160 PSI	250 PSI	250 PSI
Hose Length	—	50 ft.	75 ft.
Hose Dia., ID	—	1/2"	1/2"
Inlet Connection	1/2" NPTF	1/2" NPTF	1/2" NPTF
Outlet Connection	1/2" NPTF	1/2" NPTM	1/2" NPTM
1/2" Max. Winding Capacity	80 ft.	—	—
Connecting Hose Length	—	2 ft.	2 ft.
Shipping Weight, lb.	75	82	86



## Stainless Steel 47400 and 47500 Series:



	47400	47400-30	47400-50	47500	47501-75	47502-50	47502-75
Working Pressure	2,900 PSI	300 PSI	300 PSI	300 PSI	300 PSI	300 PSI	300 PSI
Hose Length	—	30 ft.	50 ft.	—	75 ft.	50 ft.	75 ft.
Hose Dia., ID	—	3/8"	3/8"	—	3/8"	1/2"	1/2"
Inlet Connection	1/2" NPTF	1/2" NPTF	1/2" NPTF	1/2" NPTF	1/2" NPTF	1/2" NPTF	1/2" NPTF
Outlet Connection	1/2" NPTF	1/2" NPTM	1/2" NPTM	1/2" NPTF	1/2" NPTM	1/2" NPTM	1/2" NPTM
3/8" Max. Winding Capacity	60 ft.	—	—	60 ft.	—	—	—
1/2" Max. Winding Capacity	50 ft.	—	—	80 ft.	—	—	—
Connecting Hose Length	—	2 ft.	2 ft.	—	2 ft.	2 ft.	2 ft.
Shipping Weight, lb.	28	40	45	74	89	76	87