

## SPRING REWIND HOSE REELS – FUEL

### Spring Rewind Hose Reels – Large Capacity:

These large capacity hose reels are ideal for use with 3/4" hose up to 50' lengths and 1" hose with lengths up to 40'. They are compact, sturdy and versatile. Reels are constructed from heavy

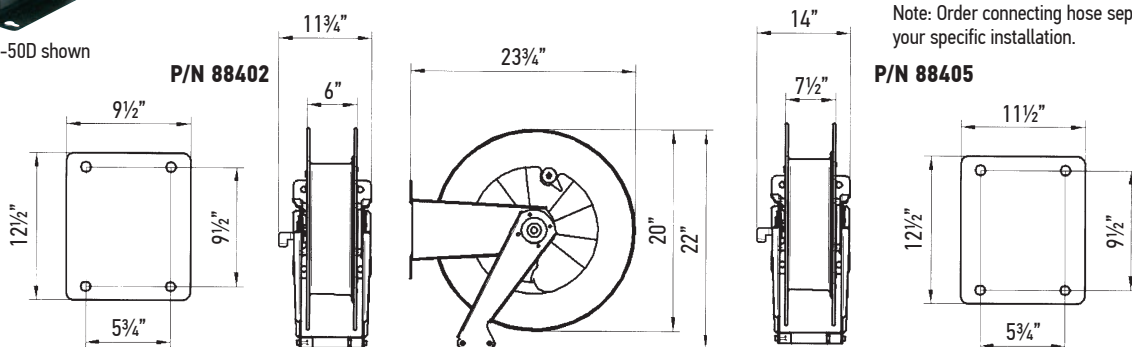
gauge steel with full double pedestal and double arm supports for rigidity and powder coated for durability. Support arm is easily adjusted to allow installations on ceiling, wall, floor or bench without binding of hose. Hose ball stop included.

### Diesel 88400 Series:



P/N 88402-50D shown

	88402	88402-40D	88402-50D	88405	88405-30D	88405-40D
Working Pressure	870 PSI	150 PSI	150 PSI	870 PSI	150 PSI	150 PSI
Hose Length	—	40 ft.	50 ft.	—	30 ft.	40 ft.
Hose Dia., ID	—	3/4"	3/4"	—	1"	1"
Inlet Connection	3/4" NPTF	3/4" NPTF	3/4" NPTF	1" NPTF	1" NPTF	1" NPTF
Outlet Connection	3/4" NPTF	3/4" NPTM	3/4" NPTM	1" NPTM	1" NPTM	1" NPTM
Max. Winding Capacity	3/4" x 50'	—	—	1" x 40'	—	—
Connecting Hose	—	Note	Note	—	Note	Note
Shipping Weight, lb.	62	78	86	74	84	96



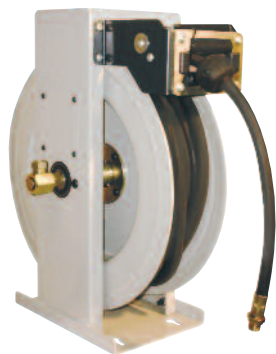
Note: Order connecting hose separately to fit your specific installation.

These reels are intended for industrial applications where an extra heavy duty reel is required. Reels are constructed from thick gauge, powder coated steel with full double pedestal drum supports.

Drum shaft is 3/4" diameter supported by ball bearings on each side. Inlet swivel is machined solid brass with easily accessible seals for simple maintenance.

**46000 series reels are supplied complete with ball stop.**

### Diesel Reel, 46500 Series:



P/N 46504-50D shown

	46500	46504-25D	46504-50D	46505-25D	46505-40D
Working Pressure	1,160 PSI	150 PSI	150 PSI	150 PSI	150 PSI
Hose Length	—	25 ft.	50 ft.	25 ft.	40 ft.
Hose Dia., ID	—	3/4"	3/4"	1"	1"
Inlet Connection	1" NPTF	1" NPTF	1" NPTF	1" NPTF	1" NPTF
Outlet Connection	1" NPTF	3/4" NPTM	3/4" NPTM	1" NPTM	1" NPTM
Connecting Hose Length	—	Note	Note	Note	Note
Shipping Weight, lb.	109	128	146	130	142

Note: Order connecting hose separately to fit your specific installation.

