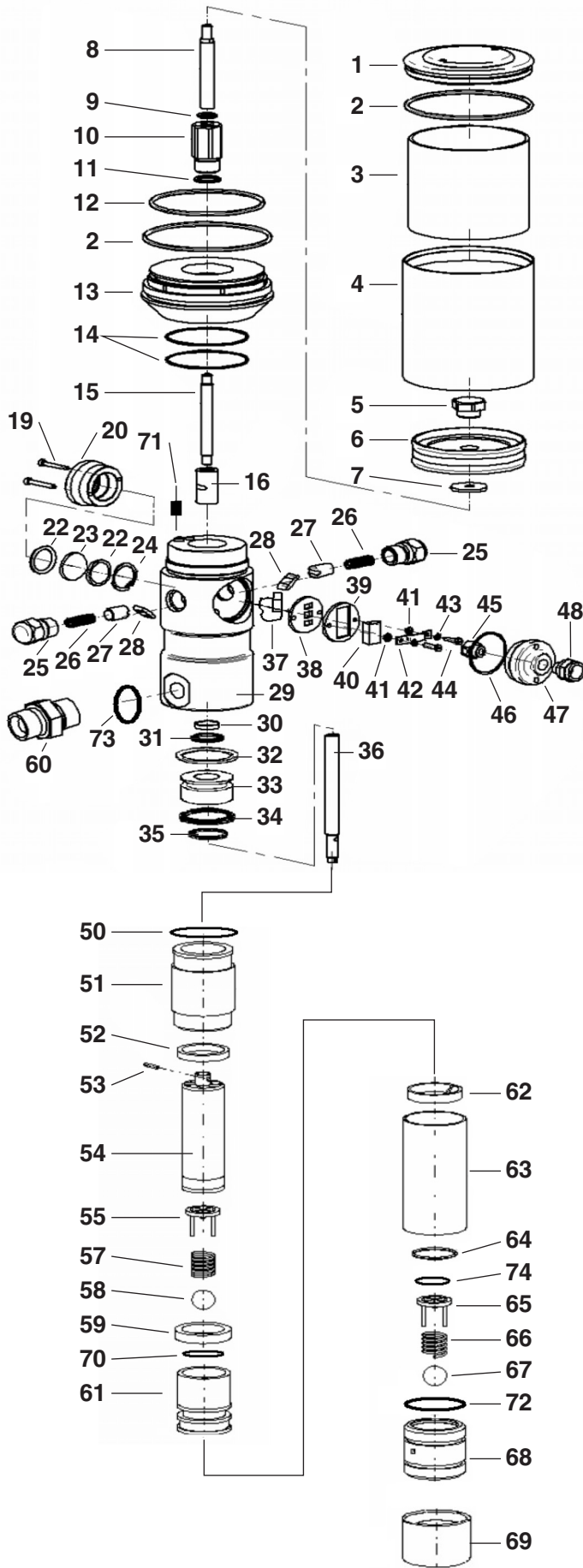


## 8:1 Ratio Pump



## Exploded Parts Items – Model 21400:

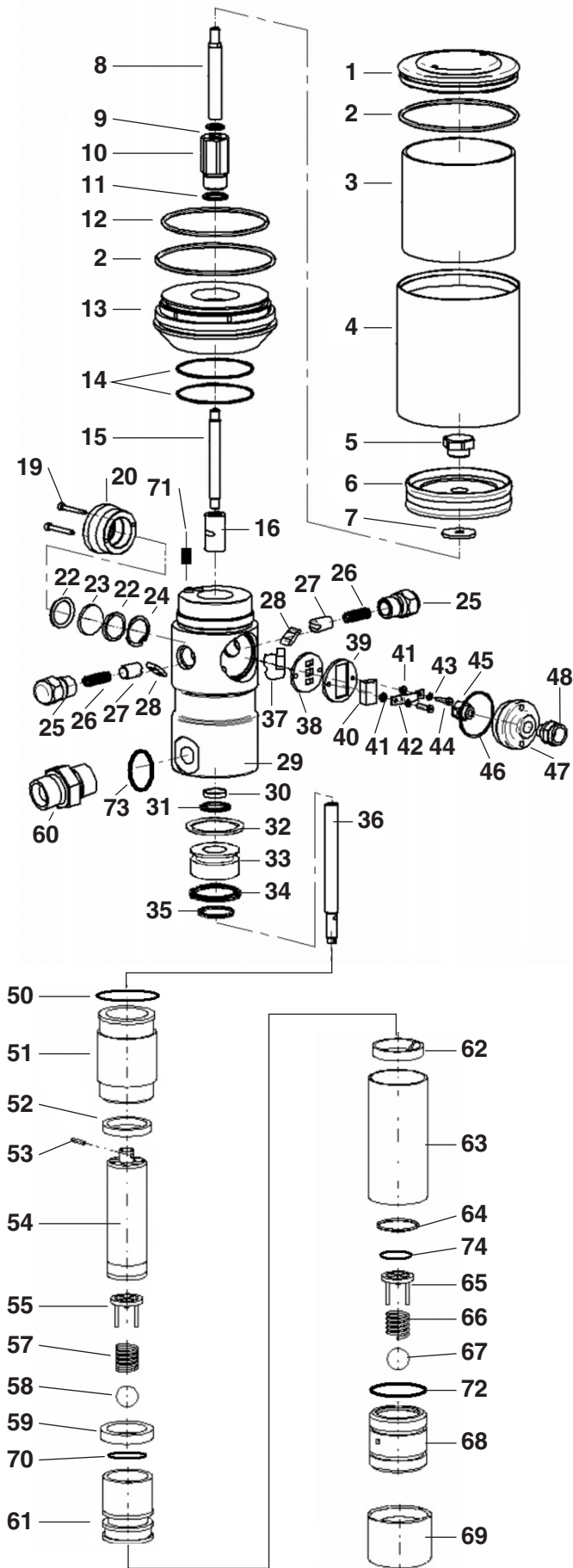
### Repair Kits:

P/N S3663	Air Motor Seal & Slide Kit 2, 6, 9, 11, 12, 14, 30, 31, 32, 34, 37, 40, 41, 42, 43, 44, 46
P/N S3642	Shuttle Kit 26, 27, 28
P/N S3614	Wet Side Seal Kit 50, 52, 53, 59, 62, 64, 70, 72, 74

### Individual Repair Components:

1	P/N S3665-01	Cap
3.	P/N S3668-03	Cylinder, Inner
4.	P/N S3668-04	Cylinder, Outer
5.	P/N S3612-05	Nut, Cap
7.	P/N S3612-07	Washer
8.	P/N S3668-08	Rod, Upper
10.	P/N S3668-10	Connector
13.	P/N S3665-13	Adapter, Body
15.	P/N S3668-15	Rod, Lower
16.	P/N S3612-36	Toggle
19.	P/N S3668-19	Screw, Retainer
20.	P/N S3668-20	Housing, Muffler
22.	P/N S3668-22	Muffler, Bronze
23.	P/N S3668-23	O-Ring, Spacer
24.	P/N S3668-24	Retainer, 'C' Clip
25.	P/N SS3612-16	Screw, Cap
29.	P/N S3665-29	Body, Air Motor
33.	P/N S3612-26	Seal, Guide
35.	P/N S3612-45	Retaining Ring
36.	P/N S3665-41	Shaft, Air Motor
38.	P/N S3668-38	Air Guide
39.	P/N S3668-39	Guide, Slide
45.	P/N S3612-37	Diverter
47.	P/N S3665-47	Cap Screw, Air Inlet
48.	P/N S3668-48	Air Inlet Fitting, 3/8" NPTF
51.	P/N S3672-51	Cylinder, Extension, 8:1
54.	P/N S3672-54	Piston
55.	P/N S3672-55	Spring Cage
57.	P/N S3672-57	Spring
58.	P/N S3672-58	Ball Check
60.	P/N S3665-60	Fitting, Discharge 3/4" NPTF
61.	P/N S3672-61	Piston
63.	P/N S3672-63	Cylinder, Lower
65.	P/N S3672-65	Cage, Spring, Lower
66.	P/N S3672-66	Spring, Lower
67.	P/N S3672-67	Ball Check, Lower
68.	P/N S3672-68	Lower Housing
69.	P/N S3672-69	Inlet Fitting
73.	P/N S3670-73	Seal, Copper, Discharge

## 13:1 Ratio Pump



## Exploded Parts Items – Model 21500:

Repair Kits:

P/N S3671	Air Motor Seal & Slide Kit 2, 6, 9, 11, 12, 14, 30, 31, 32, 34, 37, 40, 41, 42, 43, 44, 46
P/N S3642	Shuttle Kit 26, 27, 28
P/N S3614	Wet Side Seal Kit 50, 52, 53, 59, 62, 64, 70, 72, 74

Individual Repair Components:

1	P/N S3673-01	Cap
3.	P/N S3673-03	Cylinder, Inner
4.	P/N S3673-04	Cylinder, Outer
5.	P/N S3673-05	Nut, Cap
7.	P/N S3673-07	Washer
8.	P/N S3673-08	Rod, Upper
10.	P/N S3673-10	Connector
13.	P/N S3673-13	Adapter, Body
15.	P/N S3673-15	Rod, Lower
16.	P/N S3612-36	Toggle
19.	P/N S3668-19	Screw, Retainer
20.	P/N S3668-20	Housing, Muffler
22.	P/N S3668-22	Muffler, Bronze
23.	P/N S3668-23	O-Ring, Spacer
24.	P/N S3668-24	Retainer, 'C' Clip
25.	P/N SS3612-16	Screw, Cap
29.	P/N S3673-29	Body, Air Motor
33.	P/N S3612-26	Seal, Guide
35.	P/N S3612-45	Retaining Ring
36.	P/N S3673-36	Shaft, Air Motor
38.	P/N S3668-38	Air Guide
39.	P/N S3668-39	Guide, Slide
45.	P/N S3612-37	Diverter
47.	P/N S3665-47	Cap Screw, Air Inlet
48.	P/N S3668-48	Air Inlet Fitting, 3/8" NPTF
51.	P/N S3673-51	Cylinder, Extension, 13:1
54.	P/N S3673-54	Piston
55.	P/N S3673-55	Spring Cage
57.	P/N S3673-57	Spring
58.	P/N S3673-58	Ball Check
60.	P/N S3665-60	Fitting, Discharge 3/4" NPTF
61.	P/N S3673-61	Piston
63.	P/N S3673-63	Cylinder, Lower
65.	P/N S3673-65	Cage, Spring, Lower
66.	P/N S3673-66	Spring, Lower
67.	P/N S3673-67	Ball Check, Lower
68.	P/N S3673-68	Lower Housing
69.	P/N S3673-69	Inlet Fitting
73.	P/N S3670-73	Seal, Copper, Discharge