



LIQUIDYNAMICS™

AIR REEL MODELS

Instruction & Parts Manual

**This manual covers Air Reel Models
48002-50A and 48003-50A**

Model 48002-50A



Model 48003-50A

This manual contains important warnings and information. READ AND KEEP FOR REFERENCE.

2311 S. Edwards • Wichita, KS 67213
TEL: 316-943-5477 • FAX: 316-943-4760
TOLL FREE: 800-894-3572
E-MAIL: productinfo@liquidynamics.com

WARNING

This symbol indicates a potentially hazardous situation which, if not avoided, could result in death or serious injury.

Introduction:

These hose reels are a practical, safe, reliable and economical way to extend the useful life of hoses, maintain a safe and clean environment and significantly improve Service Technician efficiency. These reels are designed to use with shop air with a maximum of 300 psi.

WARNING

Use these reels only for the purpose for which they have been designed. Do not exceed working pressure of reel or hose. Do not use these reels for flammable, explosive or corrosive applications. Do not modify any components and use only original spare parts.

CAUTION

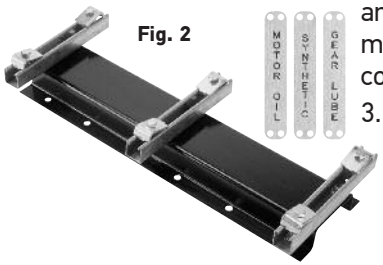
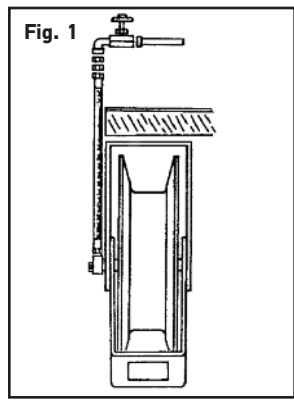
Insure that incoming line pressure does not exceed rated operating pressure of your model hose reel. Refer to technical specifications on page 4 for pressure ratings.

CAUTION

To avoid damage to the reel or hose always hold onto hose while it is rewinding.

Before Installation:

1. Make sure mounting surface is sturdy enough to hold the weight of the hose reel and take the stress of use. If wall mounting, check both the inside and outside of wall to make sure no electrical or plumbing lines will interfere with installation.
2. It is recommended to install a supply line shut-off valve just before the connection hose between air supply line and reel, fig. 1. This allows easy maintenance of reel, hose and control valve.



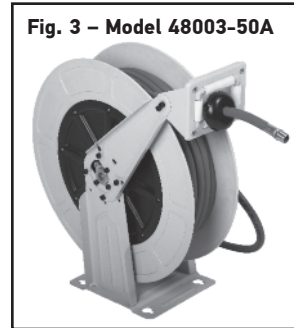
3. Hose reel mounting channel kits and product service labels (fig. 2) are available for ease

CAUTION

This symbol indicates a potentially hazardous situation which, if not avoided, may result in injury or damage to equipment.

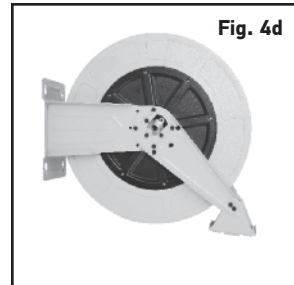
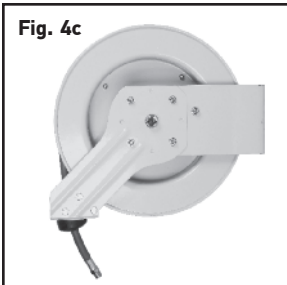
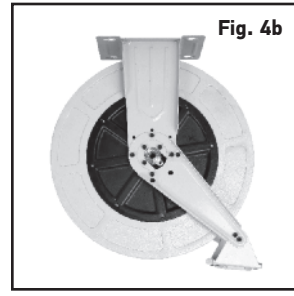
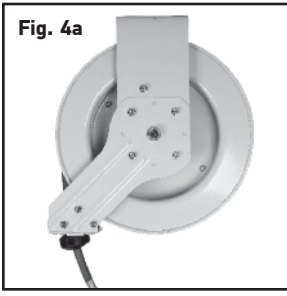
of installation. Consult your Liquidynamics catalog or call 800-894-3572 for specific recommendations and part numbers.

4. Flush product supply lines with generous quantities of air in order to remove loose dirt, scale, shavings, etc. This will prevent damage to reels and control valves.
5. Determine desired orientation of reel to best fit your specific installation. Reels are shipped with guide arm in position shown in fig. 3.



Note: Hose reels may be installed on ceiling to a maximum height of 15'.

Reels may be mounted on ceiling, wall or tank (floor) as shown in fig. 4a, 4b, 4c, 4d, 4e and 4f. Refer to instructions that follow to reposition guide arm.



Ceiling mount – 48002-50A

Ceiling mount – 48003-50A

Wall mount – 48002-50A

Wall mount – 48003-50A

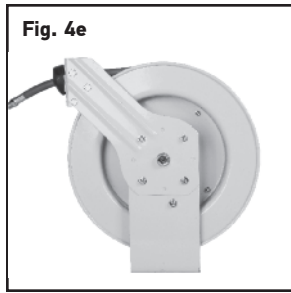


Fig. 4e
Floor, tank mount,
top discharge – 48002-50A

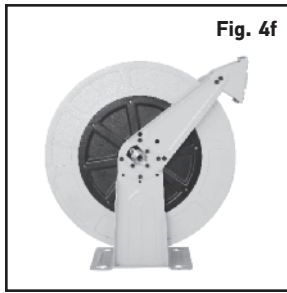


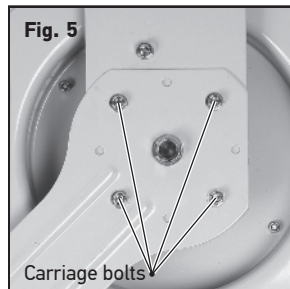
Fig. 4f
Floor, tank mount,
top discharge – 48003-50A

48002-50A Hose Guide Re-Orientation

Depending on the location of reel installation, it may be necessary or desirable to change the orientation of hose guide arm as supplied from Liquidynamics. This is easily accomplished as follows:

Note: It is not necessary to relieve spring tension when repositioning guide arm. Follow directions below to reposition guide arm without relieving spring tension.

1. Latch drum by pulling out hose until latch key engages, thus preventing reel retraction.
2. While drum is latched, loosen and remove 4 ea. 1/2" carriage bolts and nuts, fig. 5. Rotate bracket to desired position and re-install 4 ea. 1/2" carriage bolts and nuts.

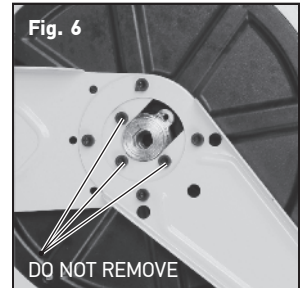


48003-50A Hose Guide Re-Orientation

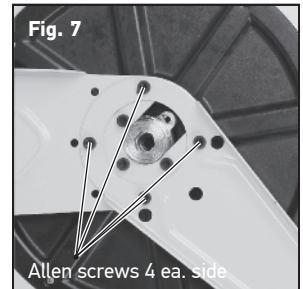
1. Latch drum by pulling out hose until latch key engages, thus preventing reel retraction.

CAUTION

Do not remove the 3 ea. (fig. 6) inner Allen screws as this will cause spring tension to be relieved suddenly, possibly causing reel damage.



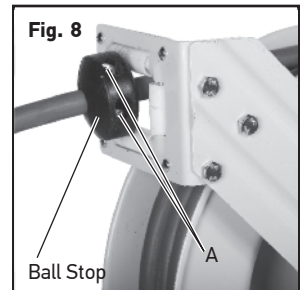
2. Remove 4 ea. 5 mm Allen screws (8 total) on each side of the reel hub as shown in fig. 7. Rotate bracket to desired position and re-install 8 ea. 5mm Allen screws.



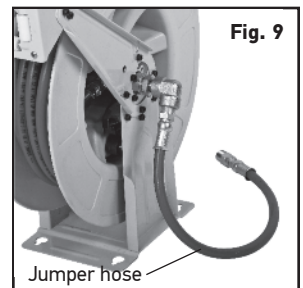
Note: Hose length protruding from reel may be adjusted by relocating ball stop shown in fig. 8. To relocate ball stop, loosen 2 ea. 4 mm Allen screws 'A' and move ball stop to desired location and retighten screws.

Connecting Air Supply Line

Note: Use an appropriately rated thread sealant on all hose connections to ensure a leak free connection.



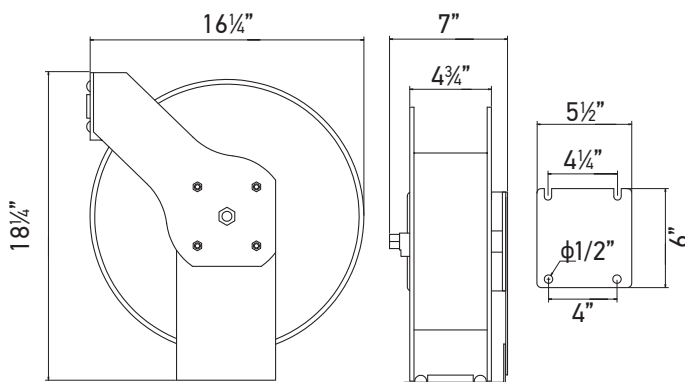
Model 48002-50A is supplied without a connecting jumper hose, an appropriate length and air pressure rated hose can be obtained from a local hardware or home supply store.



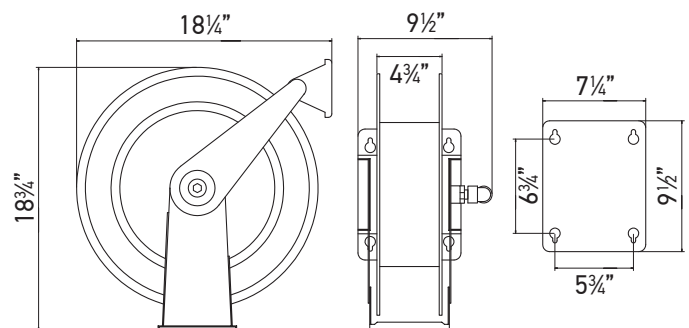
Model 48003-50A is supplied with a 3/8" x 3' connecting jumper hose which can be connected as shown in fig. 9 using an appropriate thread sealant to ensure a leak free connection.

Overall Dimensions:

Model 48002-50A



Model 48003-50A

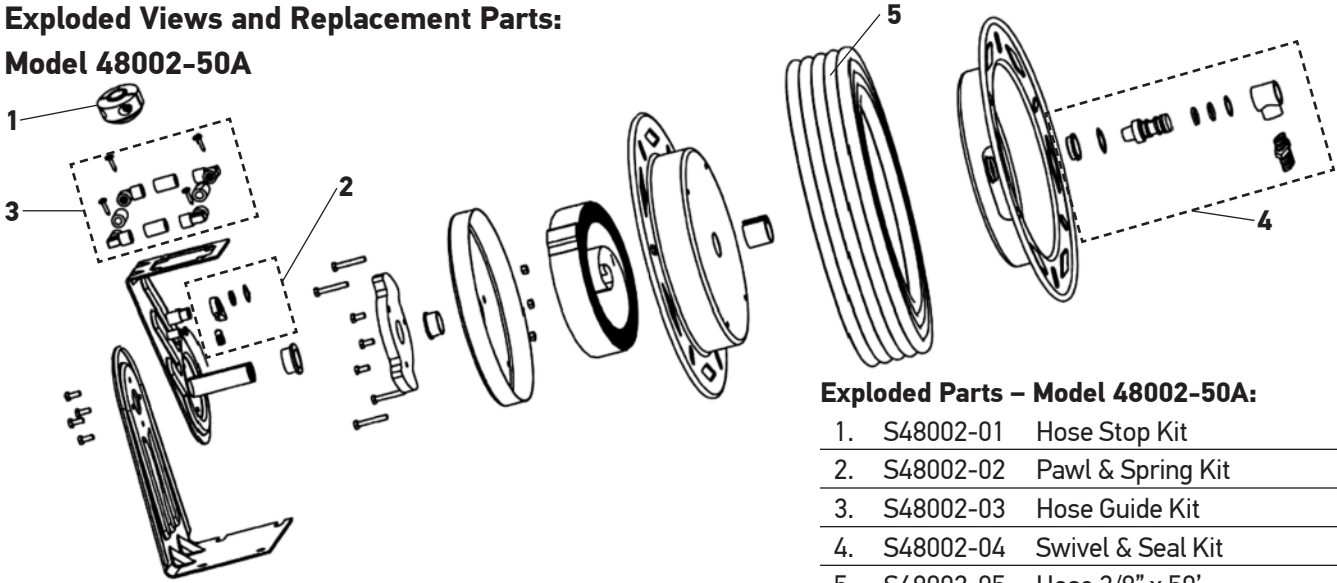


Technical Specifications:

MODEL	Working Pressure	Hose Length	Hose Dia. I.D.	Inlet Connection	Outlet Connection	Max. Winding Capacity
48002-50A	300 PSI	50 ft.	3/8"	3/8" NPTF	3/8" NPTM	50 ft.
48003-50A	300 PSI	50 ft.	3/8"	3/8" NPTF	3/8" NPTM	50 ft.

Exploded Views and Replacement Parts:

Model 48002-50A



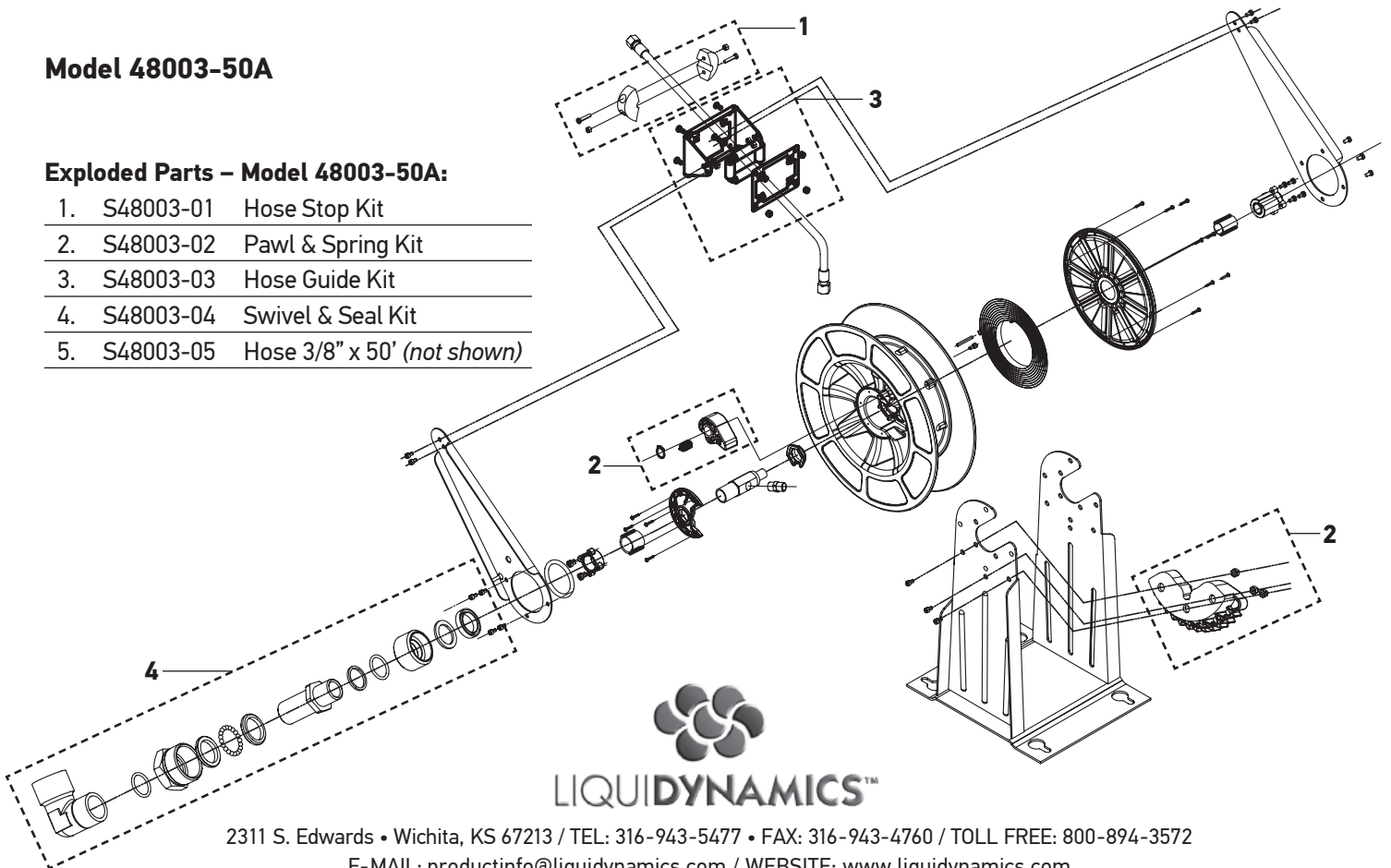
Exploded Parts – Model 48002-50A:

- | | | |
|----|-----------|-------------------|
| 1. | S48002-01 | Hose Stop Kit |
| 2. | S48002-02 | Pawl & Spring Kit |
| 3. | S48002-03 | Hose Guide Kit |
| 4. | S48002-04 | Swivel & Seal Kit |
| 5. | S48002-05 | Hose 3/8" x 50' |

Model 48003-50A

Exploded Parts – Model 48003-50A:

- | | | |
|----|-----------|-----------------------------|
| 1. | S48003-01 | Hose Stop Kit |
| 2. | S48003-02 | Pawl & Spring Kit |
| 3. | S48003-03 | Hose Guide Kit |
| 4. | S48003-04 | Swivel & Seal Kit |
| 5. | S48003-05 | Hose 3/8" x 50' (not shown) |



LIQUID DYNAMICS™

2311 S. Edwards • Wichita, KS 67213 / TEL: 316-943-5477 • FAX: 316-943-4760 / TOLL FREE: 800-894-3572

E-MAIL: productinfo@liquidynamics.com / WEBSITE: www.liquidynamics.com