

LIQUIDYNAMICS

Drum Cart

Model 51003C

Instruction & Parts Manual

Introduction;

The model 51003C drum cart is designed to be used with 35 to 120 lb grease drums and 5, 16 and 30 gallon oil drums. The four wheel design offers significant advantages for the handling and control of these type pails/drums, thus reducing the possibility of equipment damage or personal injury.

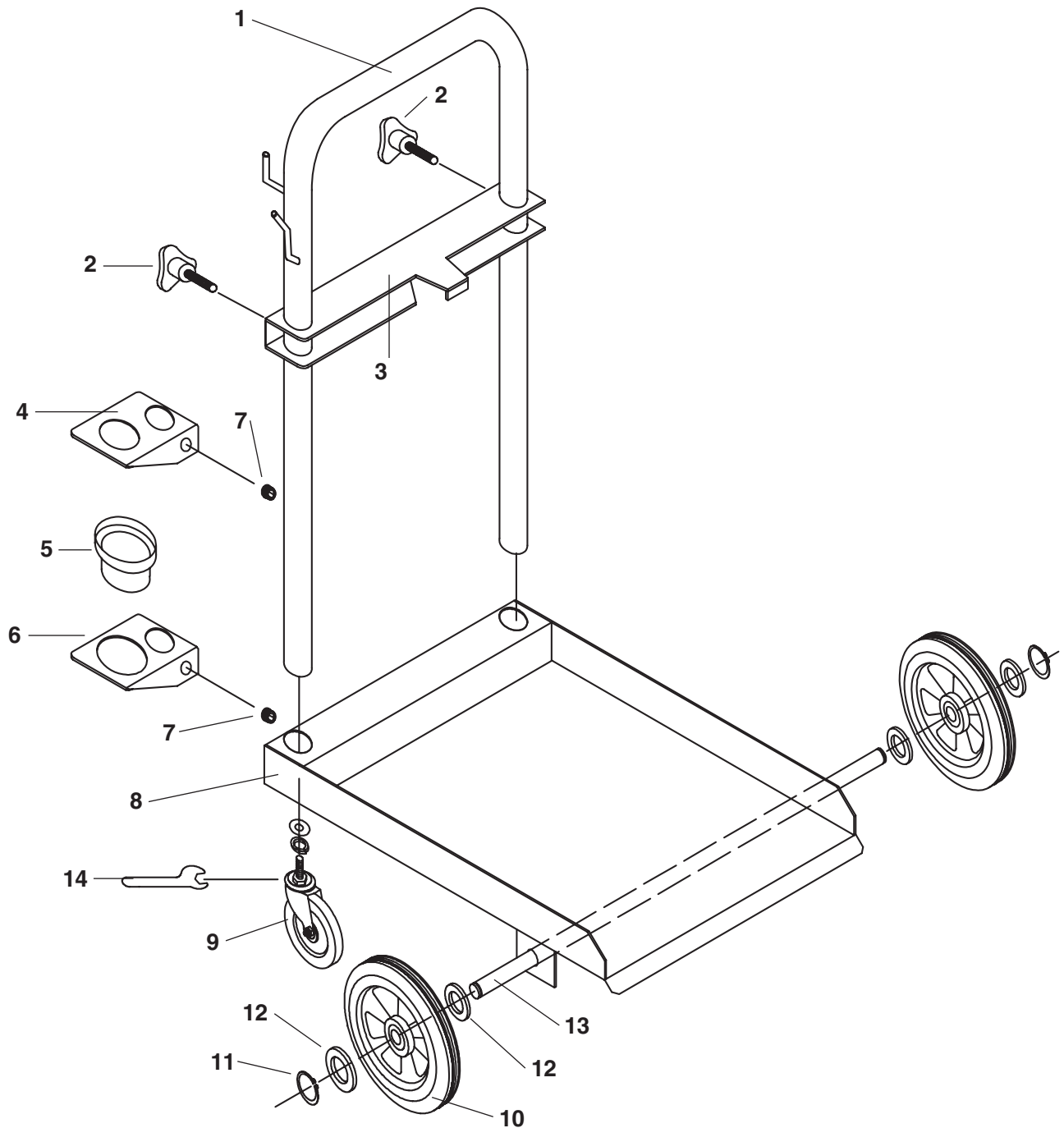
The 51003C cart design incorporates an adjustable height retaining bar to secure the pail/drum to the cart. Additionally, pump holding brackets w/drip cup are provided as a convenient place to store the pump during drum exchange. An incorporated foot brake on one of the swivel casters secures the cart in position.

Assembly:

1. Use the exploded parts drawing as a guide during assembly.
2. Assemble fixed wheels (#10), flat washers (#12), retaining rings (#11) to wheel shaft (#13) as shown.
3. Slide the upper pump retainer bracket (#4) onto the cart handle as shown and secure with Allen screw (#7).
4. Slide the Drum Retainer Bracket (#3) onto handle (#1) as shown and secure with locking knobs (#2).
5. Slide the lower pump retaining bracket (#6) onto handle (#1) as shown and secure with Allen screw (#7).
6. Insert handle assembly into receptacle provided in cart base (#8) and secure with bolts provided on casters (#9) using special flat wrench (#14) provided.
7. Insert drip cup (#5) into lower pump retainer bracket (#6) as shown.

Features:





Exploded Parts Items – Cart Model 51003C:

1.	P/N S4320-01	Cart Handle
2.	P/N S4300-02	Locking Knob
3.	P/N S4320-03	Drum Retainer Bracket
4.	P/N S4300-04	Upper Pump Retainer Bracket
5.	P/N S4300-05	Drip Cup
6.	P/N S4300-06	Lower Pump Retainer Bracket
7.	P/N S4300-13	Allen Screw, 5 mm
8.	P/N S4320-08	Cart Base

9.	P/N S4320-09	Swivel Caster w/o Brake
9a.	P/N S4320-09a	Swivel Caster w/Brake
10.	P/N S4310-05	Fixed Wheel
11.	P/N S4310-07	Retaining Ring
12.	P/N S4310-06	Flat Washer
13.	P/N S4320-13	Wheel Shaft (Axel)
14.	P/N S4320-14	Narrow Open End Wrench