

LIQUIDYNAMICS

IBC Tote Mounting Plate DEF Hardware Kit

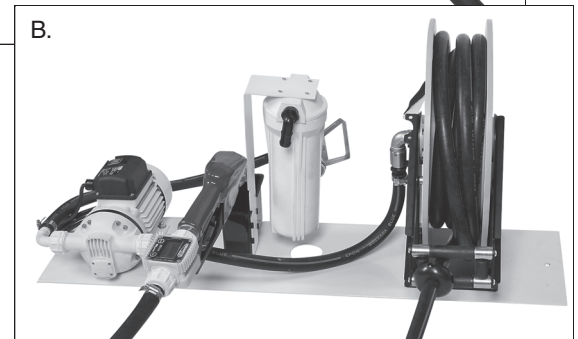
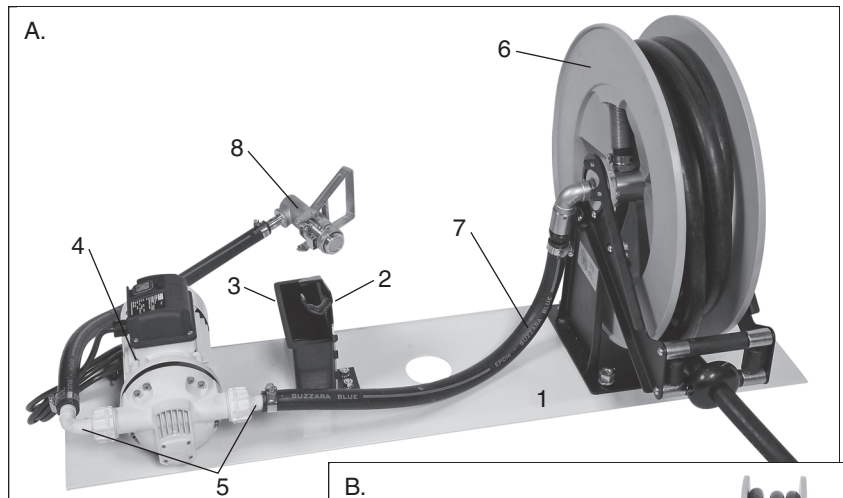
Assembly Guide

Use Illustration 'A' and 'B' to help orient equipment placement when following assembly procedures below:

1. Attach nozzle hanger (#2) to tote mounting plate (#1) using 2 ea. 5/16" x 3/4" hex bolts and nuts (provided). Snap drip cup (#3) to nozzle hanger as shown in illustration 'A'. If your system is provided with a filter housing, use illustration 'B' as a guide.
2. Attach DEF membrane pump (#4) to tote mounting plate (#1) using 4 ea. 3/8" x 1" hex bolts and nuts (provided). Connect the provided hose barb (2 ea.) connections (#5) to the inlet and discharge of pump.
3. If your system is provided with a hose reel, attach reel (#6) to tote mounting plate using 1/2" x 1" hex bolts, nuts and lock washers (provided). Connect jumper hose (#7) to inlet swivel on hose reel and discharge side of pump. Secure hose with provided hose clamps.

Note: If your system is provided without a hose reel, connect 3/4" x 12' discharge hose directly to discharge side of pump and secure with hose clamp.

4. Connect suction hose with attached MicroMatic coupler (#8) to suction side of pump and secure with hose clamp.



5. Place assembled tote mounting plate on top of IBC tote tank as shown in illustration 'A' and secure with mounting bracket as shown in illustration 'C'.
6. Connect MicroMatic coupler to Micromatic valve in center of IBC tank.
7. Connect pump to 115VAC power source.

IBC Tote Frame
(cross section)

