

## HOSE REELS

An excellent tool to ensure a clean, efficient and safe working environment. Our spring rewind models are used widely in industrial and automotive settings to improve efficiency and safety by keeping hoses off the ground.

These reels are constructed of heavy gauge, powder coated steel with a high-density polypropylene hose drum to ensure durability and corrosion resistance. Reels have double pedestal and double arm construction for rigidity. Easy access inlet swivel design utilizes “quad” seals with PTFE backup and secondary ‘O’ Ring to ensure long life.

Many of our reels are backed with our industry leading 5-year Limited Warranty against defects in material and workmanship. These pages are filled with a broad offering of:

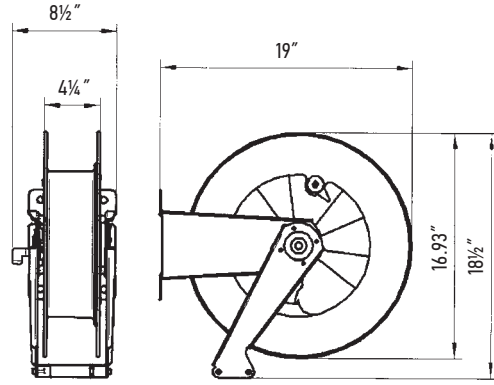
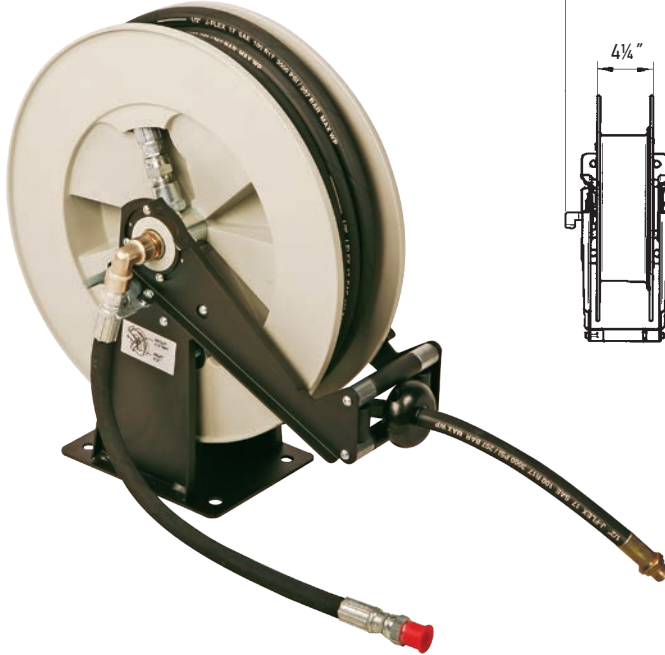
- Spring Rewind Hose Reels-Oil, Grease & Fuel
- Extreme Duty Hose Reels-Oil, Grease & Fuel
- Open Drum Hose Reels-Air & Water
- Reel Accessories

**Please visit our website [www.liquidynamics.com](http://www.liquidynamics.com) for additional information and the latest products available in the market today!**

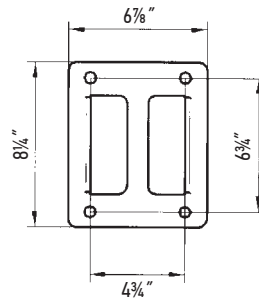
# SPRING REWIND HOSE REELS – OIL

## Open Reel, 43002 and 43003 Series:

P/N **43002**



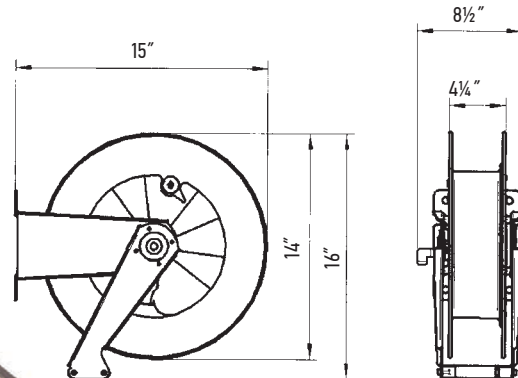
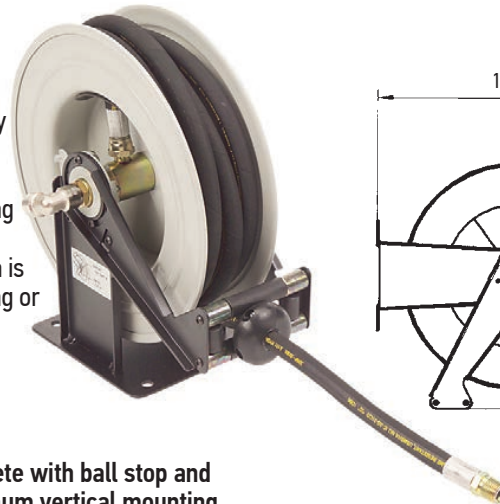
**Mounting Pattern**  
Common both reels.



## Compact Hose Reel:

P/N **43003-25L**

This compact reel offers heavy duty steel construction with corrosion resistant powder coated finish, fully enclosed with lubricated spring and full flow swivel to minimize pressure drop. The hose guide arm is easily adjusted to allow wall, ceiling or floor mounting.



**NOTE:** Reels are supplied complete with ball stop and 1/2" x 2' connecting hose. Maximum vertical mounting height is 12'. Contact Liquidynamics if higher mounting height is required.

	P/N 43002	P/N 43002-25L	P/N 43002-30L	P/N 43002-40L	P/N 43002-50L	P/N 43003	P/N 43003-25L
Working Pressure	1,700 PSI	1,700 PSI	1,700 PSI	1,700 PSI	1,700 PSI	1,700 PSI	1,700 PSI
Hose Length	—	25 ft.	30 ft.	40 ft.	50 ft.	—	25 ft.
Hose Dia., ID	—	1/2"	1/2"	1/2"	1/2"	—	1/2"
Inlet Connection	1/2" NPTF	1/2" NPTF	1/2" NPTF	1/2" NPTF	1/2" NPTF	1/2" NPTF	1/2" NPTF
Outlet Connection	1/2" NPTF	1/2" NPTM	1/2" NPTM	1/2" NPTM	1/2" NPTM	1/2" NPTM	1/2" NPTM
Connecting Hose Length	—	2 ft.	2 ft.	2 ft.	2 ft.	—	2 ft.
Shipping Weight, lb.	28	36	38	40	43	27	36

**NOTE:** See page 81 for reel mounting kits.

# SPRING REWIND HOSE REELS – OIL

## Spring Rewind Hose Reels – Large Capacity:

These large capacity hose reels are ideal for use with 1/2" hose up to 75', 3/4" hose up to 50' lengths and 1" hose with lengths up to 40'. They are compact, sturdy and versatile. Reels are constructed from heavy gauge steel with full double pedestal and

double arm supports for rigidity and powder coated for durability. Support arm is easily adjusted to allow installation on ceiling, wall, floor or bench without binding hose. Hose ball stop included.

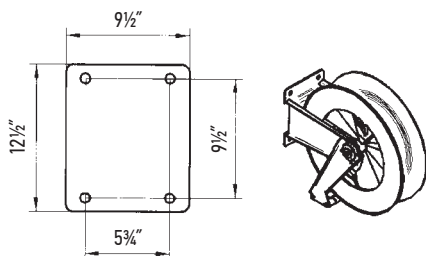
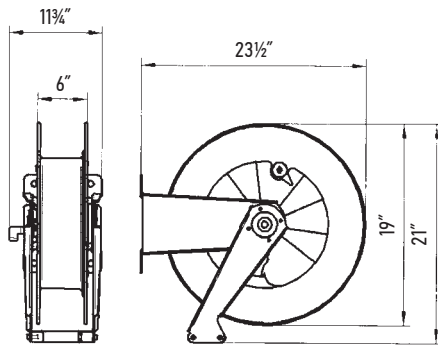


P/N 88402-40L shown

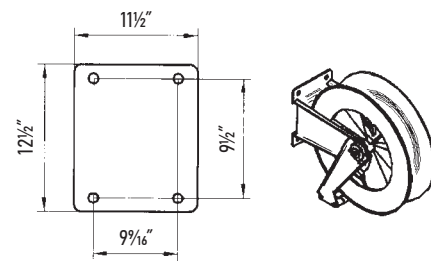
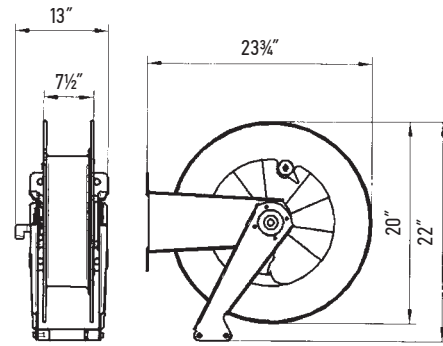


P/N 88405-40L shown

### 88402 and 88403 Series



### 88405 Series



	P/N 88403-50L	P/N 88403-75L	P/N 88402	P/N 88402-40L	P/N 88402-50L	P/N 88405	P/N 88405-30L	P/N 88405-40L
Working Pressure	1,160 PSI	1,160 PSI	1,160 PSI	1,160 PSI	870 PSI	1,160 PSI	1,160 PSI	1,160 PSI
Hose Length	50 ft.	75 ft.	—	40 ft.	50 ft.	—	30 ft.	40 ft.
Hose Dia., ID	1/2"	1/2"	—	3/4"	3/4"	—	1"	1"
Inlet Connection	1/2" NPTF	1/2" NPTF	3/4" NPTF	3/4" NPTF	3/4" NPTF	1" NPTF	1" NPTF	1" NPTF
Outlet Connection	1/2" NPTF	1/2" NPTF	3/4" NPTF	3/4" NPTF	3/4" NPTF	1" NPTF	1" NPTF	1" NPTF
Max Winding Capacity	1/2" x 75'	1/2" x 75'	3/4" x 50'	—	—	1" x 40'	—	—
Connecting Hose	2 ft.	2 ft.	—	See Note	See Note	—	See Note	See Note
Shipping Weight	79 lb	86 lb	54 lb	74 lb	80 lb	74 lb	93 lb	97 lb

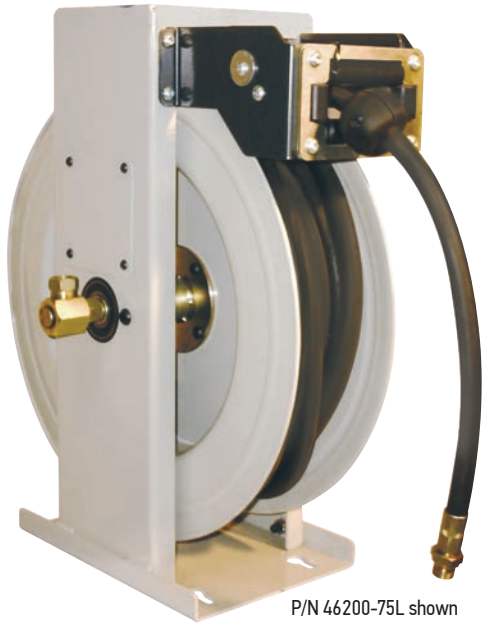
**NOTE:** Order connecting hose separately to fit your specific installation

# SPRING REWIND HOSE REELS – EXTREME DUTY – OIL

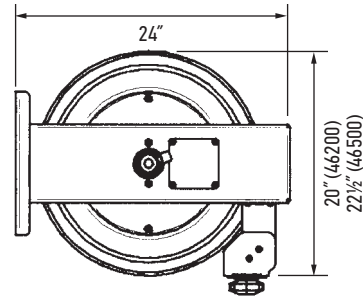
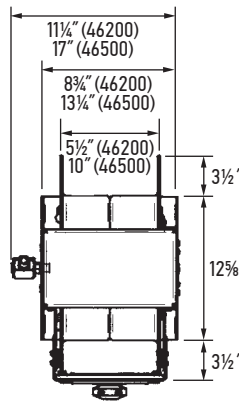
These reels are intended for industrial applications where an extra heavy duty reel is required. Reels are constructed from thick gauge, powder coated steel with full double pedestal drum supports.

Drum shaft is 3/4" diameter supported by ball bearings on each side. Inlet swivel is machined solid brass with easily accessible seals for simple maintenance.

**46200 series reels are supplied complete with ball stop and connecting hose.**

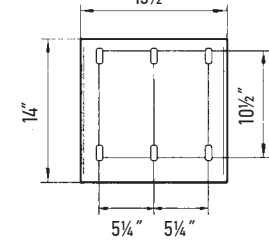
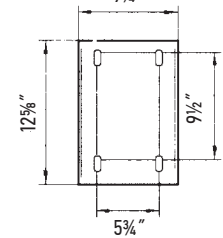


P/N 46200-75L shown



46200 Series Mounting Plate  
9 1/4"

46500 Series Mounting Plate  
13 1/2"



	P/N 46200	P/N 46200-50L	P/N 46200-75L	P/N 88503-100L	P/N 46500	P/N 46501-50L	P/N 46502-40L
Working Pressure	1,700 PSI	1,700 PSI	1,700 PSI	2,000 PSI	1,160 PSI	1,160 PSI	1,160 PSI
Hose Length	—	50 ft.	75 ft.	100 ft.	—	50 ft.	40 ft.
Hose Dia., ID	—	1/2"	1/2"	1/2"	—	3/4"	1"
Inlet Connection	1/2" NPTF	1/2" NPTF	1/2" NPTF	1/2" NPTF	1" NPTF	1" NPTF	1" NPTF
Outlet Connection	1/2" NPTF	1/2" NPTM	1/2" NPTM	1/2" NPTM	1" NPTM	3/4" NPTM	1" NPTM
1/2" Max. Winding Capacity	75 ft.	—	—	—	—	—	—
1" Max. Winding Capacity	—	—	—	—	45 ft.	—	—
Connecting Hose Length	—	2 ft.	2 ft.	4 ft.	—	See Note	See Note
Shipping Weight, lb.	75	97	103	134	109	94	96

**NOTE:** Order connecting hose separately to fit your specific installation.

## Spring Rewind Hose Reels – Large Capacity:

### P/N 88503-100L

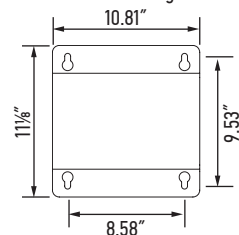
High capacity reel features double pedestal and double arm, all metal construction for superior strength and rigidity. This reel has a powder coated finish to ensure long lasting durability and appearance. Reel is suitable for use with air, water, antifreeze and oil products and is supplied complete with 1/2" x 100' hose rated to 2,000 PSI working pressure, ball stop and 1/2" x 4' connection hose. The adjustable arms provide floor, wall or ceiling mount capability.

Swivel inlet fitting is 1/2" NPTF, connection hose is 1/2" NPTM rigid x 1/2" NPTM swivel, discharge hose fitting is 1/2" NPTM rigid.

Reel dimensions are 14.5" W x 23" D x 24.8" H, reel weight (empty) including hose is 133 lb.



88503-100L Mounting Plate



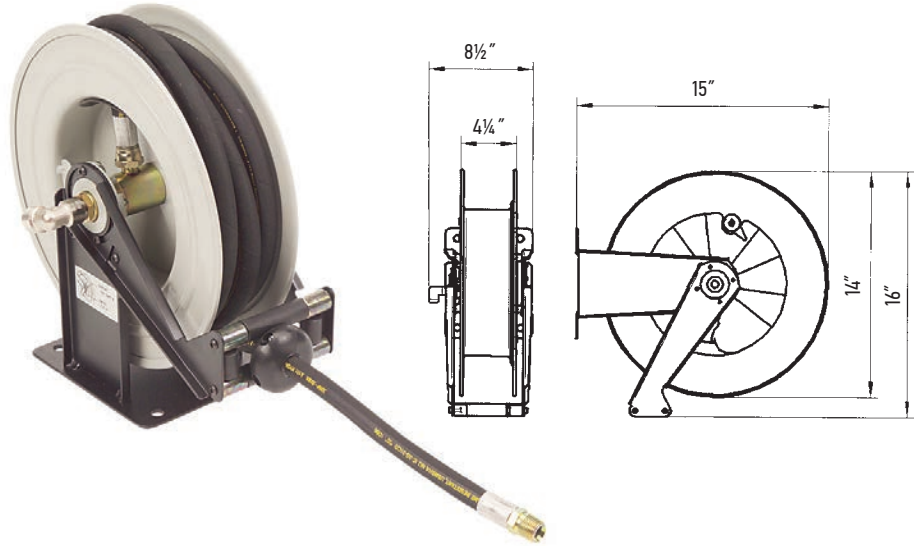
# SPRING REWIND HOSE REELS – GREASE

## Open Reel, 43102, 43103 and 43104 Series:

### Compact Hose Reel:

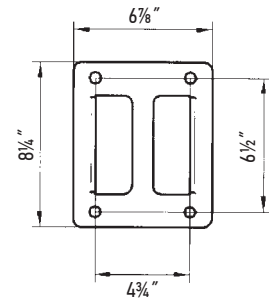
P/N **43104**

This compact reel offers heavy duty construction with corrosion resistant powder coated finish, fully enclosed and lubricated spring and full flow swivel to minimize pressure drop. The hose guide arm is easily adjusted to allow wall, ceiling or floor mounting.



P/N 43102 shown

**Mounting Pattern**  
Common both reels.



**NOTE:** Reels are supplied complete with ball stop and connecting hose.

	P/N 43102	P/N 43102-30G	P/N 43102-50G	P/N 43103-30G	P/N 43103-50G	P/N 43104	P/N 43104-25G	43104-30G
Working Pressure	8,700 PSI	8,700 PSI	8,700 PSI	8,700 PSI	8,700 PSI	8,700 PSI	8,700 PSI	8,700 PSI
Hose Length	—	30 ft.	50 ft.	30 ft.	50 ft.	—	25 ft.	30 ft.
Hose Dia., ID	—	1/4"	1/4"	3/8"	3/8"	—	1/4"	1/4"
Inlet Connection	1/4" NPTF	1/4" NPTF	1/4" NPTF	1/4" NPTF	1/4" NPTF	1/4" NPTF	1/4" NPTF	1/4" NPTF
Outlet Connection	1/4" NPTM	1/4" NPTM	1/2" NPTF	1/4" NPTM	1/4" NPTM	1/4" NPTM	1/4" NPTM	1/4" NPTM
1/4" Max. Winding Cap.	65 ft.	—	—	—	—	35 ft.	—	—
3/8" Max. Winding Cap.	60 ft.	—	—	—	—	30 ft.	—	—
Connecting Hose L.	—	2 ft.	2 ft.	2 ft.	2 ft.	—	2 ft.	2 ft.
Shipping Weight, lb.	28	35	40	40	45	27	33	35

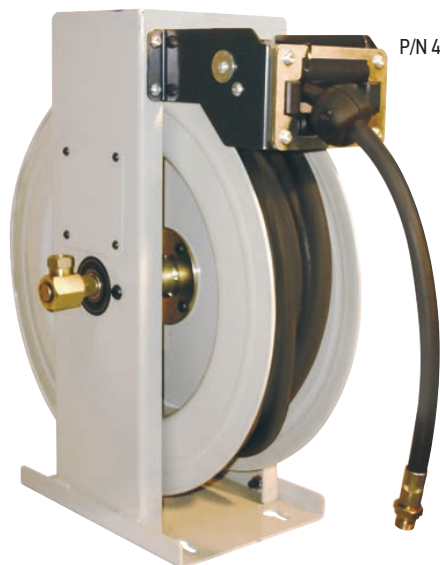


## HOSE REELS – EXTREME DUTY – GREASE

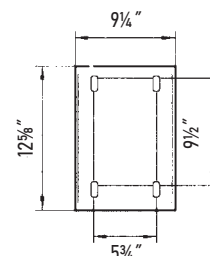
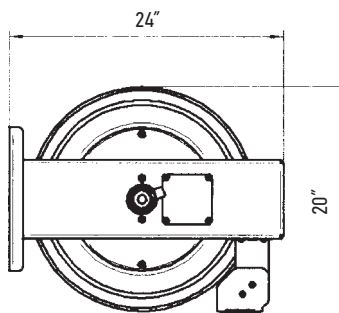
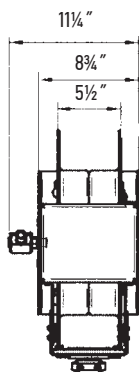
These reels are intended for extreme applications where an extra heavy duty reel is required. Reels are constructed from thick gauge, powder coated steel with full double pedestal drum supports.

Drum shaft is 3/4" diameter supported by ball bearings on each side. Inlet swivel is machined solid brass with easily accessible seals for simple maintenance.

**NOTE:** Reels are supplied complete with ball stop and connecting hose.



P/N 46202-75G shown

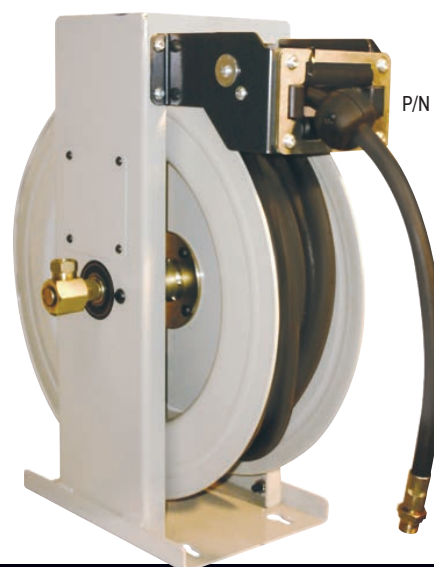


	P/N 46201	P/N 46201-50G	P/N 46201-75G	P/N 46202-50G	P/N 46202-75G
Working Pressure	8,700 PSI	8,700 PSI	8,700 PSI	8,700 PSI	8,700 PSI
Hose Length	—	50 ft.	75 ft.	50 ft.	75 ft.
Hose Dia., ID	—	1/4"	1/4"	3/8"	3/8"
Inlet Connection	3/8" NPTF	3/8" NPTF	3/8" NPTF	3/8" NPTF	3/8" NPTF
Outlet Connection	1/4" NPTF	1/4" NPTM	1/4" NPTM	1/4" NPTM	1/4" NPTM
1/4" Max. Winding Capacity	80 ft.	—	—	—	—
3/8" Max. Winding Capacity	80 ft.	—	—	—	—
Connecting Hose Length	—	2 ft.	2 ft.	2 ft.	2 ft.
Shipping Weight, lb.	82	95	100	100	106

## SPRING REWIND HOSE REELS – AIR/WATER

### Extreme Duty 46200 Series:

	46200	46200-50A	46200-75A
Working Pressure	1,160 PSI	250 PSI	250 PSI
Hose Length	—	50 ft.	75 ft.
Hose Dia., ID	—	1/2"	1/2"
Inlet Connection	1/2" NPTF	1/2" NPTF	1/2" NPTF
Outlet Connection	1/2" NPTF	1/2" NPTM	1/2" NPTM
1/2" Max. Winding Capacity	80 ft.	—	—
Connecting Hose Length	—	2 ft.	2 ft.
Shipping Weight, lb.	75	82	86



P/N 46200-75A shown

# SPRING REWIND HOSE REELS – AIR/WATER

## Open Reel, 43002 and 43003 Series:

An excellent tool to ensure a clean, efficient and safe working environment. Liquidynamics reels are constructed of heavy gauge, powder coated steel with a high density polypropylene hose drum to ensure durability and corrosion resistance. These reels are extremely rugged and are intended for heavy duty use.

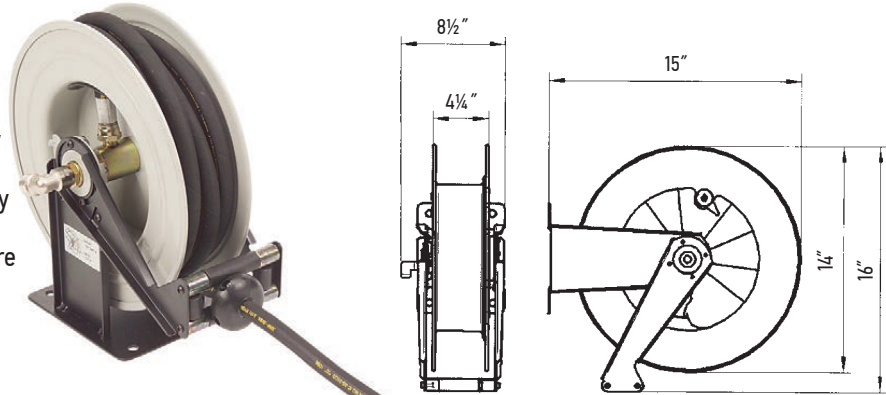
Both open and enclosed styles are supplied with a standard rigid fixed mount. An optional swivel mount bracket is available for both the open and enclosed reel styles.

**NOTE:** Reels are supplied complete with ball stop and connecting hose. Maximum vertical mounting height is 15'.

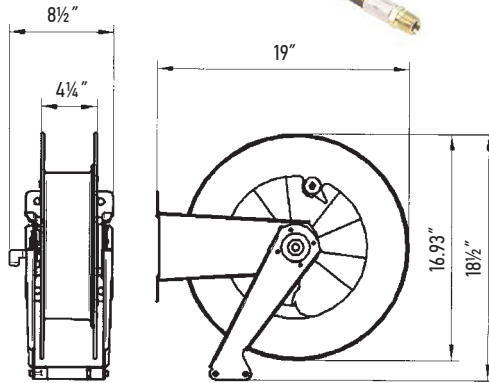
## Compact Hose Reel:

### P/N 43003-30A

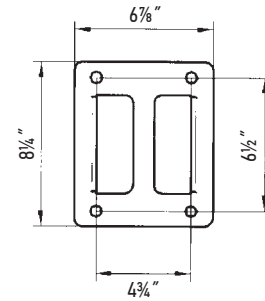
This compact reel offers heavy duty steel construction with corrosion resistant powder coated finish. Fully enclosed and lubricated spring and full flow swivel to minimize pressure drop. The hose guide arm is easily adjusted to allow wall, ceiling or floor mounting.



### P/N 43002



**Mounting Pattern**  
Common both reels.

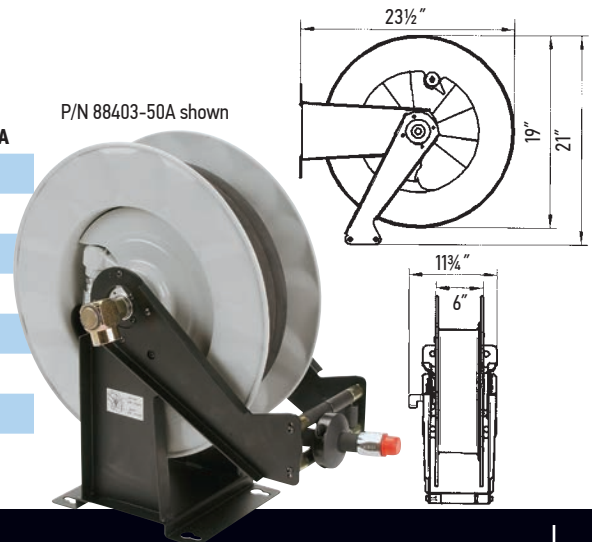


	P/N 43002	P/N 43002-30A	P/N 43002-50A	P/N 43002-50A2	P/N 43003	P/N 43003-30A	P/N 43003-50A
Working Pressure	1,160 PSI	300 PSI	300 PSI	300 PSI	1,160 PSI	300 PSI	300 PSI
Hose Length	—	30 ft.	50 ft.	50 ft.	—	30 ft.	50 ft.
Hose Dia., ID	—	3/8"	3/8"	1/2"	—	3/8"	3/8"
Inlet Connection	1/2" NPTF	1/2" NPTF	1/2" NPTF	1/2" NPTF	1/2" NPTF	3/8" NPTF	3/8" NPTF
Outlet Connection	1/2" NPTF	3/8" NPTM	3/8" NPTM	1/2" NPTM	1/2" NPTM	3/8" NPTF	3/8" NPTF
Connecting Hose Length	—	2 ft.	2 ft.	2 ft.	—	2 ft.	2 ft.
Shipping Weight, lb.	28	34	37	42	27	32	38

## Large Capacity, 88403 Series:

	P/N 88403	P/N 88403-50A	P/N 88403-75A
Working Pressure	1,160 PSI	250 PSI	250 PSI
Hose Length	—	50 ft.	75 ft.
Hose Dia., ID	—	1/2"	1/2"
Inlet Connection	1/2" NPTF	1/2" NPTF	1/2" NPTF
Outlet Connection	1/2" NPTF	1/2" NPTM	1/2" NPTM
3/8" Max. Winding Capacity	80 ft.	—	—
Connecting Hose Length	—	2 ft.	2 ft.
Shipping Weight, lb.	62	68	74

P/N 88403-50A shown



# SPRING REWIND HOSE REELS – FUEL

## Spring Rewind Hose Reels – Large Capacity:

These large capacity hose reels are ideal for use with 3/4" hose up to 50' lengths and 1" hose with lengths up to 40'. They are compact, sturdy and versatile. Reels are constructed from heavy

gauge steel with full double pedestal and double arm supports for rigidity and powder coated for durability. Support arm is easily adjusted to allow installations on ceiling, wall, floor or bench without binding of hose. Hose ball stop included.

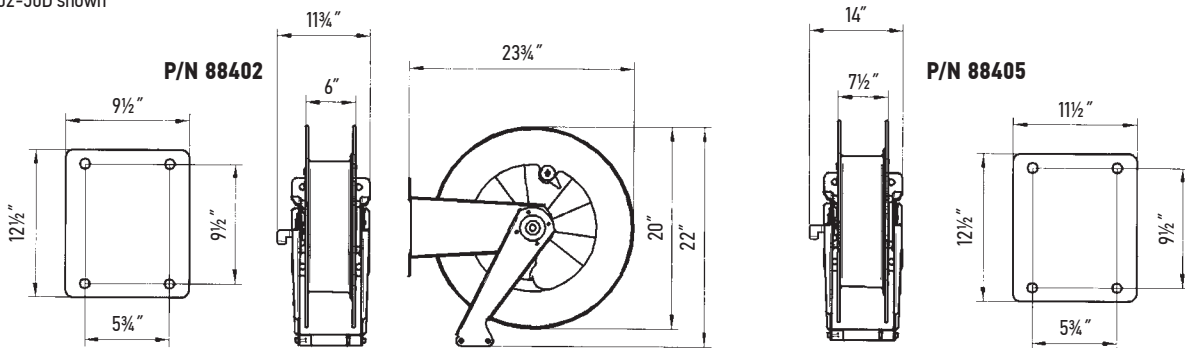
### Diesel 88400 Series:



P/N 88402-50D shown

	88402	88402-40D	88402-50D	88405	88405-30D	88405-40D
Working Pressure	870 PSI	150 PSI	150 PSI	870 PSI	150 PSI	150 PSI
Hose Length	—	40 ft.	50 ft.	—	30 ft.	40 ft.
Hose Dia., ID	—	3/4"	3/4"	—	1"	1"
Inlet Connection	3/4" NPTF	3/4" NPTF	3/4" NPTF	1" NPTF	1" NPTF	1" NPTF
Outlet Connection	3/4" NPTF	3/4" NPTM	3/4" NPTM	1" NPTM	1" NPTM	1" NPTM
Max. Winding Capacity	3/4" x 50'	—	—	1" x 40'	—	—
Connecting Hose	—	Note	Note	—	Note	Note
Shipping Weight, lb.	62	78	86	74	84	96

**NOTE:** Order connecting hose separately to fit your specific installation.

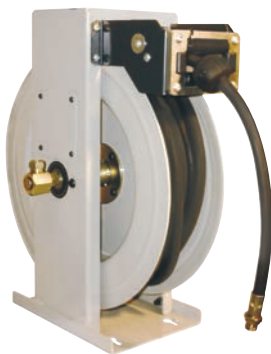


These reels are intended for industrial applications where an extra heavy duty reel is required. Reels are constructed from thick gauge, powder coated steel with full double pedestal drum supports.

Drum shaft is 3/4" diameter supported by ball bearings on each side. Inlet swivel is machined solid brass with easily accessible seals for simple maintenance.

**46000 series reels are supplied complete with ball stop.**

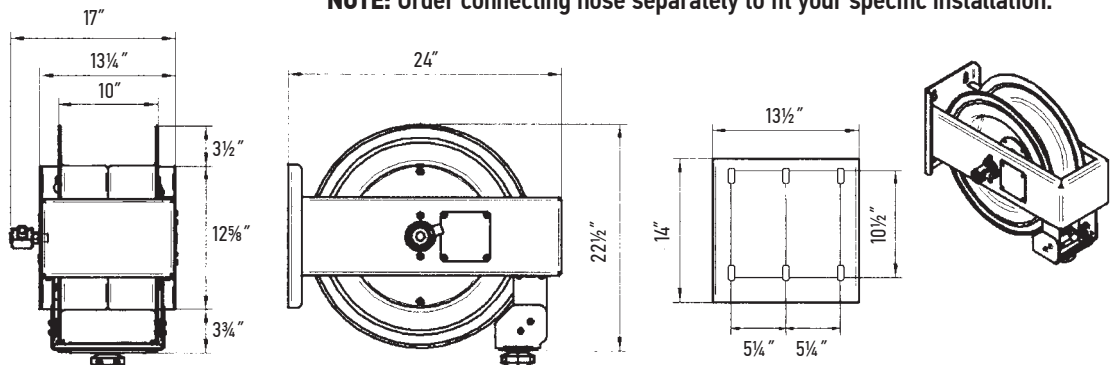
### Diesel Reel, 46500 Series:



P/N 46504-50D shown

	46500	46504-25D	46504-50D	46505-25D	46505-40D
Working Pressure	1,160 PSI	150 PSI	150 PSI	150 PSI	150 PSI
Hose Length	—	25 ft.	50 ft.	25 ft.	40 ft.
Hose Dia., ID	—	3/4"	3/4"	1"	1"
Inlet Connection	1" NPTF	1" NPTF	1" NPTF	1" NPTF	1" NPTF
Outlet Connection	1" NPTF	3/4" NPTM	3/4" NPTM	1" NPTM	1" NPTM
Connecting Hose Length	—	Note	Note	Note	Note
Shipping Weight, lb.	109	128	146	130	142

**NOTE:** Order connecting hose separately to fit your specific installation.





## FLUID AND AIR HOSES – LOW & MEDIUM PRESSURE

These hoses are suitable for use with Air, Water, Oil, Hydraulic Fluid, Transmission Fluid and Antifreeze as appropriate. Hoses are typically supplied with a rigid fitting on one side and a swivel fitting on the other side.

**Please contact Liquidynamics if you require a special hose type, length or fittings.**

### LOW PRESSURE AIR AND WATER HOSE

A premium high quality multi-purpose hose that is an excellent choice for air and water applications. The hose is constructed with high tensile textile cord reinforcement and a red neoprene cover. This construction provides excellent kink resistance, a working pressure of 300 PSI, a 4:1 safety factor and a temperature range of -20° F to +212° F.

P/N	HOSE SIZE	FITTINGS	NOTE
81100-02	3/8" x 2'	1/4" x 1/4"	(A)
81100-04	3/8" x 4'	1/4" x 1/4"	(A)
81100-06	3/8" x 6'	1/4" x 1/4"	(A)
81100-10	3/8" x 10'	1/4" x 1/4"	(A)
81100-15	3/8" x 15'	1/4" x 1/4"	(A)
81100-25	3/8" x 25'	1/4" x 1/4"	(A)
81100-30	3/8" x 30'	1/4" x 1/4"	(A)
81100-40	3/8" x 40'	1/4" x 1/4"	(A)
81100-50	3/8" x 50'	1/4" x 1/4"	(A)
81125-02	3/8" x 2'	3/8" x 3/8"	(A)
81125-04	3/8" x 4'	3/8" x 3/8"	(A)
81125-06	3/8" x 6'	3/8" x 3/8"	(A)
81125-10	3/8" x 10'	3/8" x 3/8"	(A)
81125-15	3/8" x 15'	3/8" x 3/8"	(A)
81125-25	3/8" x 25'	3/8" x 3/8"	(A)
81125-30	3/8" x 30'	3/8" x 3/8"	(A)
81125-40	3/8" x 40'	3/8" x 3/8"	(A)
81125-50	3/8" x 50'	3/8" x 3/8"	(A)
81150-02	1/2" x 2'	1/2" x 1/2"	(A)
81150-04	1/2" x 4'	1/2" x 1/2"	(A)
81150-06	1/2" x 6'	1/2" x 1/2"	(A)
81150-10	1/2" x 10'	1/2" x 1/2"	(A)
81150-15	1/2" x 15'	1/2" x 1/2"	(A)
81150-25	1/2" x 25'	1/2" x 1/2"	(A)
81150-30	1/2" x 30'	1/2" x 1/2"	(A)
81150-40	1/2" x 40'	1/2" x 1/2"	(A)
81150-50	1/2" x 50'	1/2" x 1/2"	(A)
81150-75	1/2" x 75'	1/2" x 1/2"	(A)

**(A) NPTM Rigid fitting x NPTM Swivel fitting**

### MEDIUM PRESSURE OIL HOSE 1/2" ID

For use with all ratio pumps up to and including 13:1 pumps.

An excellent general purpose hose used for oil, hydraulic fluid, transmission fluid and antifreeze. Hose is constructed with a neoprene tube, high tensile steel wire braid and oil and weather resistant synthetic rubber. Hose is rated to a maximum working pressure of 3,000 PSI and a minimum burst of 10,000 PSI and has a temperature range of -40° F to +250° F. The hose is SAE/USCG marine listed and exceeds SAE 100R1 specifications. It is very flexible with a minimum bend radius of 3.0 inches, OD is 0.75". Hose may be used for suction or discharge.

P/N	HOSE SIZE	FITTINGS	NOTE
81200-02	1/2" x 2'	1/2" x 1/2"	(A)
81200-04	1/2" x 4'	1/2" x 1/2"	(A)
81200-05	1/2" x 5'	1/2" x 1/2"	(A)
81200-06	1/2" x 6'	1/2" x 1/2"	(A)
81200-08	1/2" x 8'	1/2" x 1/2"	(A)
81200-12	1/2" x 12'	1/2" x 1/2"	(A)
81200-15	1/2" x 15'	1/2" x 1/2"	(A)
81200-20	1/2" x 20'	1/2" x 1/2"	(A)
81200-25	1/2" x 25'	1/2" x 1/2"	(A)
81200-30	1/2" x 30'	1/2" x 1/2"	(A)
81200-35	1/2" x 35'	1/2" x 1/2"	(A)
81200-40	1/2" x 40'	1/2" x 1/2"	(A)
81200-50	1/2" x 50'	1/2" x 1/2"	(A)
81200-75	1/2" x 75'	1/2" x 1/2"	(A)
81200-100	1/2" x 100'	1/2" x 1/2"	(A)

**(A) NPTM Rigid fitting x NPTM Swivel fitting**

### MEDIUM PRESSURE OIL HOSE 3/4" & 1" ID

For use with High Volume Ratio Pumps.

An excellent general purpose hose used for oil, hydraulic fluid, transmission fluid and antifreeze. Hose is constructed with a neoprene tube, high tensile steel wire braid and oil and weather resistant synthetic rubber. Hose is rated to a maximum working pressure of 1,250 PSI and a minimum burst of 5,000 PSI and has a temperature range of -40° F to +250° F. The hose is SAE/USCG marine listed and exceeds SAE 100R1 specifications. It is very flexible with a minimum bend radius of 4.3" inches, OD is 1.01". Hose may be used for suction or discharge.

P/N	HOSE SIZE	FITTINGS	NOTE
81250-02	3/4" x 2'	3/4" x 3/4"	(A)
81250-04	3/4" x 4'	3/4" x 3/4"	(A)
81250-06	3/4" x 6'	3/4" x 3/4"	(A)
81250-12	3/4" x 12'	3/4" x 3/4"	(A)
81250-20	3/4" x 20'	3/4" x 3/4"	(A)
81250-25	3/4" x 25'	3/4" x 3/4"	(A)
81250-30	3/4" x 30'	3/4" x 3/4"	(A)
81250-40	3/4" x 40'	3/4" x 3/4"	(A)
81250-50	3/4" x 50'	3/4" x 3/4"	(A)
81260-02	1" x 2'	1" x 1"	(A)
81260-04	1" x 4'	1" x 1"	(A)
81260-06	1" x 6'	1" x 1"	(A)
81260-12	1" x 12'	1" x 1"	(A)
81260-20	1" x 20'	1" x 1"	(A)
81260-25	1" x 25'	1" x 1"	(A)
81260-30	1" x 30'	1" x 1"	(A)
81260-40	1" x 40'	1" x 1"	(A)
81260-50	1" x 50'	1" x 1"	(A)

**(A) NPTM Rigid fitting x NPTM Swivel fitting**

# GREASE HOSE & FUEL HOSE

These hoses are suitable for use with Hydraulic Fluid and Grease. Hoses are typically supplied with a rigid fitting on one side and a swivel fitting on the other side.

**Please contact Liquidynamics if you require a special hose type, length or fittings**

## HIGH PRESSURE HOSE

For use with 60:1 Grease Pumps.

High pressure hose used for grease and hydraulic fluid transfer. Hose is constructed with a neoprene tube, two high tensile strength wire braids and MSHA approved oil and weather resistant synthetic rubber cover, (3/8" hose has a polyester tube and neoprene cover). Maximum working pressure for the 1/4" ID hose is 5,800 PSI with a minimum burst pressure of 20,000 PSI, while the 3/8" ID hose has a maximum working pressure of 4,800 PSI and a minimum bursting pressure of 16,000 PSI. High pressure hoses are flexible, with a minimum bend radius of 2.0" and 6.0" respectively. Hoses have a working temperature of -40° F to +212° F and are SAE/USCG marine listed.

P/N	HOSE SIZE	FITTINGS	NOTE
81300-02	1/4" x 2'	1/4" x 1/4"	(A)
81300-04	1/4" x 4'	1/4" x 1/4"	(A)
81300-05	1/4" x 5'	1/4" x 1/4"	(A)
81300-06	1/4" x 6'	1/4" x 1/4"	(A)
81300-08	1/4" x 8'	1/4" x 1/4"	(A)
81300-12	1/4" x 12'	1/4" x 1/4"	(A)
81300-15	1/4" x 15'	1/4" x 1/4"	(A)
81300-20	1/4" x 20'	1/4" x 1/4"	(A)
81300-25	1/4" x 25'	1/4" x 1/4"	(A)
81300-30	1/4" x 30'	1/4" x 1/4"	(A)
81300-40	1/4" x 40'	1/4" x 1/4"	(A)
81300-50	1/4" x 50'	1/4" x 1/4"	(A)
81301-25	1/4" x 25'	1/4" x 9/16"	(B)
81301-30	1/4" x 30'	1/4" x 9/16"	(B)
81301-40	1/4" x 40'	1/4" x 9/16"	(B)
81301-50	1/4" x 50'	1/4" x 9/16"	(B)
81301-60	1/4" x 60'	1/4" x 9/16"	(B)
81315-02	3/8" x 2'	3/8" x 3/8"	(A)
81315-04	3/8" x 4'	3/8" x 3/8"	(A)
81315-06	3/8" x 6'	3/8" x 3/8"	(A)
81315-12	3/8" x 12'	3/8" x 3/8"	(A)
81315-20	3/8" x 20'	3/8" x 3/8"	(A)
81315-25	3/8" x 25'	3/8" x 3/8"	(A)
81315-30	3/8" x 30'	3/8" x 3/8"	(A)
81315-40	3/8" x 40'	3/8" x 3/8"	(A)
81315-50	3/8" x 50'	3/8" x 3/8"	(A)
81315-60	3/8" x 60'	3/8" x 3/8"	(A)
81316-25	3/8" x 25'	3/8" x 9/16"	(B)
81316-30	3/8" x 30'	3/8" x 9/16"	(B)
81316-40	3/8" x 40'	3/8" x 9/16"	(B)
81316-50	3/8" x 50'	3/8" x 9/16"	(B)
81317-06	1/2" x 6'	1/2"	(C)
81317-12	1/2" x 12'	1/2"	(C)
81317-20	1/2" x 20'	1/2"	(C)
81317-50	1/2" x 50'	1/2"	(C)
81318-06	3/4" x 6'	3/4"	(C)
81318-12	3/4" x 12'	3/4"	(C)
81318-20	3/4" x 20'	3/4"	(C)

- (A) NPTM Rigid fitting x NPTM Swivel fitting
- (B) NPTM Rigid fitting x 18 JICV fitting
- (C) NPTM Rigid fitting both ends, 10,000 PSI Working Pressure

## GROUNDING FUEL HOSE

For use with Electric Fuel Pumps and U.L. Approved D.D. Pumps, available as non-stock item.

Single wire braid construction provides the flexibility of a softwall and the durability of a hardwall and is resistant to crushing, cuts, abrasions, sun and weather. This hose is compatible with leaded and unleaded gasoline, gasohol and diesel fuel. Tubing is black nitrile with black nitrile / PVC cover and has a single wire braid with solid brass couplings for positive grounding. Temperature range is -40° F to +180° F and a working pressure of 150 PSI.

P/N	HOSE SIZE	FITTINGS	NOTE
82400-06	3/4" x 6'	3/4" x 3/4"	(A)
82400-10A	3/4" x 10'	3/4" x 3/4"	(D)
82400-12	3/4" x 12'	3/4" x 3/4"	(A)
82400-12A	3/4" x 12'	3/4" x 3/4"	(D)
82400-20A	3/4" x 20'	3/4" x 3/4"	(D)
82400-25	3/4" x 25'	3/4" x 3/4"	(A)
82400-30	3/4" x 30'	3/4" x 3/4"	(A)
82400-35	3/4" x 35'	3/4" x 3/4"	(A)
82400-40	3/4" x 40'	3/4" x 3/4"	(A)
82400-50	3/4" x 50'	3/4" x 3/4"	(A)
82410-06	1" x 6'	1" x 1"	(A)
82410-10	1" x 10'	1" x 1"	(A)
82410-10A	1" x 10'	1" x 1"	(D)
82410-12A	1" x 12'	1" x 1"	(D)
82410-25	1" x 25'	1" x 1"	(A)
82410-25A	1" x 25'	1" x 1"	(D)
82410-30	1" x 30'	1" x 1"	(A)
82410-35	1" x 35'	1" x 1"	(A)
82410-40	1" x 40'	1" x 1"	(A)
82410-50	1" x 50'	1" x 1"	(A)

- (A) NPTM Rigid fitting x NPTM Swivel fitting
- (D) NPTM Rigid fitting both ends

## NON GROUNDED FUEL HOSE

For use with Gravity or Hand Operated Equipment.

A quality hose designed for gravity flow applications for use in agricultural and construction sites. Hose has a working pressure of 75 PSI with a 2 spiral polyester yarn construction and Nitrile / PVC cover.

P/N	HOSE SIZE	FITTINGS	NOTE
82450-08	3/4" x 8'	3/4"	(D)
82450-10	3/4" x 10'	3/4"	(D)
82450-12	3/4" x 12'	3/4"	(D)
82450-15	3/4" x 15'	3/4"	(D)
82450-20	3/4" x 20'	3/4"	(D)
82460-08	1" x 8'	1"	(D)
82460-10	1" x 10'	1"	(D)
82460-12	1" x 12'	1"	(D)
82460-15	1" x 15'	1"	(D)
82460-20	1" x 20'	1"	(D)

- (D) NPTM Rigid fitting both ends

## REEL ACCESSORIES

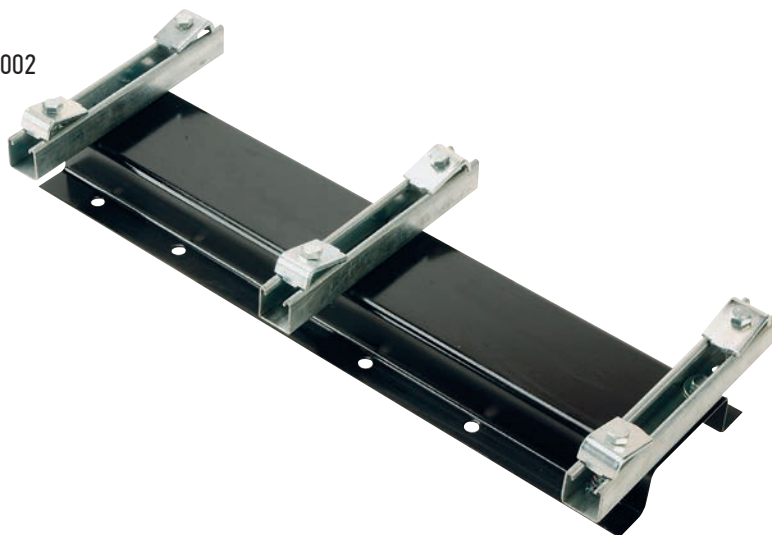
### Hose Reel Mounting Channel Kit

Reel mounting kits secure the 43002, 43003 and 44002 reels to 'I' beams without having to drill any holes. Will fit 'I' beams with flanges up to 7" wide. Kits are available for mounting 1 to 3 reels. For reel banks over 3 reels, use multiple channels, e.g. for 6 reel bank, use two 950043 reel kits.

P/N **950041** 1 Reel Mounting Kit

P/N **950042** 2 Reel Mounting Kit

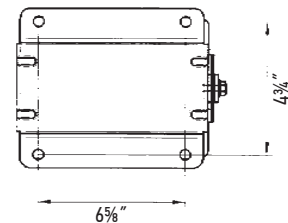
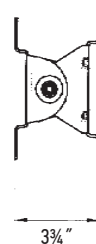
P/N **950043** 3 Reel Mounting Kit



### Swivel Mount Kit

P/N **950091**

Swivel mount bracket adapts rigid mount open and enclosed reels to swivel mount, for P/N 43002, 43003 and 44002 series reels.



P/N **42015**

Wall mounted drip tray. Used to retain control handle and catch the occasional drip. Catch tray is easily removed for cleaning. 6" wide x 6 1/2" deep x 27" tall.

