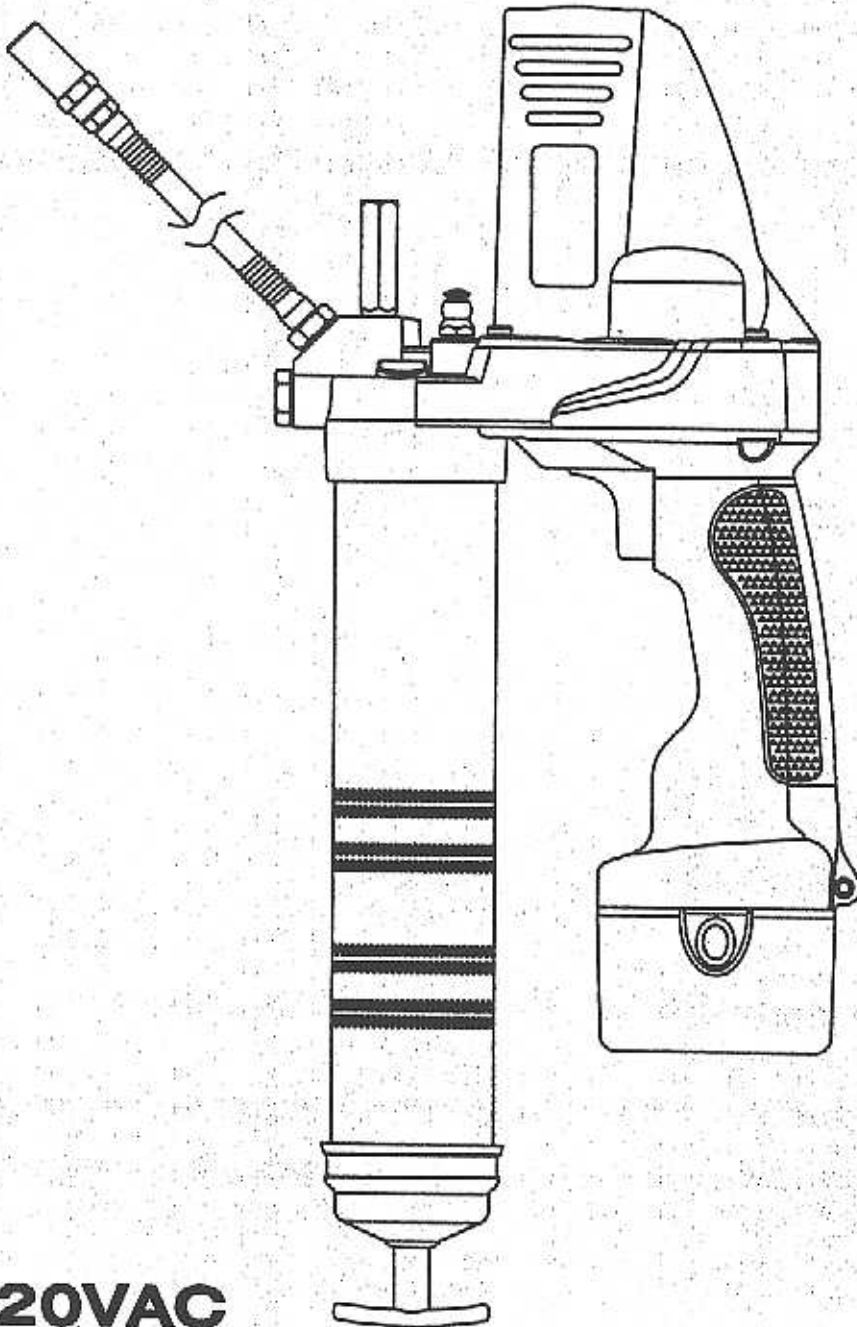

**CORDLESS
AUTO GREASE GUN**



120VAC

PATENTS PENDING

OWNER'S MANUAL

Important Safeguards

WARNING ! READ AND UNDERSTAND ALL INSTRUCTIONS.

Failure to follow all instructions listed below, may result in electric shock, fire and/or serious personal injury.

1. Do not charge battery outdoors or in temperatures below 32°F(0°C) or above 104°F(40°C).
2. Do not allow metal objects to come in contact with battery terminals.
3. Do not puncture or attempt to open battery pack.
4. Do not store battery pack where it will be subjected to temperatures above 120°F(49°C).
5. Do not incinerate battery pack.
6. Do not immerse the battery pack or charger in water.
7. High temperature may be occurred and could cause personal injury or fire when terminals of battery pack are shorted.
8. Recharge only with the charger specified by the manufacturer (Model : A12-C) .
9. Use this gun only with specifically designated battery pack (Model : A12-B) .Use of any other batteries may create a risk of fire.
10. Do not use a defective battery charger ,one that over-heats and/or smokes when plugged in.
11. During charging the battery pack should be in a proper place without any clothing..... etc cover the charger and battery pack.
12. Unplug charger from outlet before cleaning or attempting any maintenance to reduce risk of electric shock.
13. Do not abuse the cord. Never use the cord carry the tool. Keep cord away from heat, oil, sharp edges. or moving parts. Replace damaged cords immediately. Damaged cords may create a fire.
14. Stay alert, watch what your are doing, and use common sense when operating a power tool. Do not use tool while tired or under the influence of drugs, alcohol, or medication. A moment of inattention while operating power tools may result in serlous personal injury.
15. Dress property. Do not wear loose clothing or jewelry. Contain long hair. Keep your hair, clothing, and gloves away from moving parts. Loose clothes, jewelry, or long hair can be caught in moving parts.
16. Avoid accidental starting . Be sure switch is in the locked or off position before inserting battery pack. Carrying tools with your finger on the switch or inserting the battery pack into a tool witch the switch on invites accidents.
17. Do not overreach. Keep proper footing and balance at all times. Proper footing and balance enable better control of the tool in unexpected situations.
18. Use safety equipment. Always wear eye protection. Dust mask, non-skid safety shoes, hard hat, or hearing protection must be used for appropriate conditions.
19. Use clamps or other practical way to secure and support the work piece to a stable platform. Holding the work by hand or against your body is unstable and may lead to loss of control.
20. Do not force tool. Use the correct tool for your application. The correct tool will do the job better and safer at the rate for which it is designed.
21. Do not use tool it switch does not turn it on or off. A tool that cannot be controlled with the switch is dangerous and must be repaired.
22. Disconnect battery pack from tool or place the switch in the locked or off position before making any adjustments, changing accessories, or storing the tool. Such preventive safety measures reduce the risk of starting the tool accidentally.
23. Store idle tools out of reach of children and other untrained persons. Tools are dangerous in the hands of untrained users.
24. Check for misalignment or binding of moving parts, breakage of parts, and any other condition that may affect the tool's operation. If damaged, have the tool serviced before using. Many accidents are caused by poorly maintained tools.
25. Use only accessories that are recommended by the manufacturer for your model. Accessories that may be suitable for one tool may create a risk of injury when used on another tool.
26. Tool service must be performed only by qualified repair personnel. Service or maintenance performed by unqualified personnel may result in a risk of injury.
27. When servicing a tool, use only identical replacement parts. Follow instructions in the maintenance section of this manual. Use of unauthorized parts or failure to follow maintenance instructions may create a risk of shock or injury.
28. Do not use outdoor. Do not use appliance for any other than intended use.

Gun Body :

Maximum Working Pressure : 6,000psi.

Grease Container Capacity : 14 oz.

Acceptable Grease : up to NLGI # 2.

Outlet Hose : 30" length · Flexible whip hose · rated 7,500psi pressure.

Grease Delivery : 2.4 oz/min (at free Injection) .

Working Voltage : DC 12V.

Working Current : 2.0~5.5 Amp. (at free Injection)

Body Weight : 7.9 Lbs. with battery pack.

Rechargeable Battery (Battery Pack) :

Model : A12-B

Battery : NI - Cd · 12V 1300 mA·H · SC size.

Battery Charger :

Model : A12-C

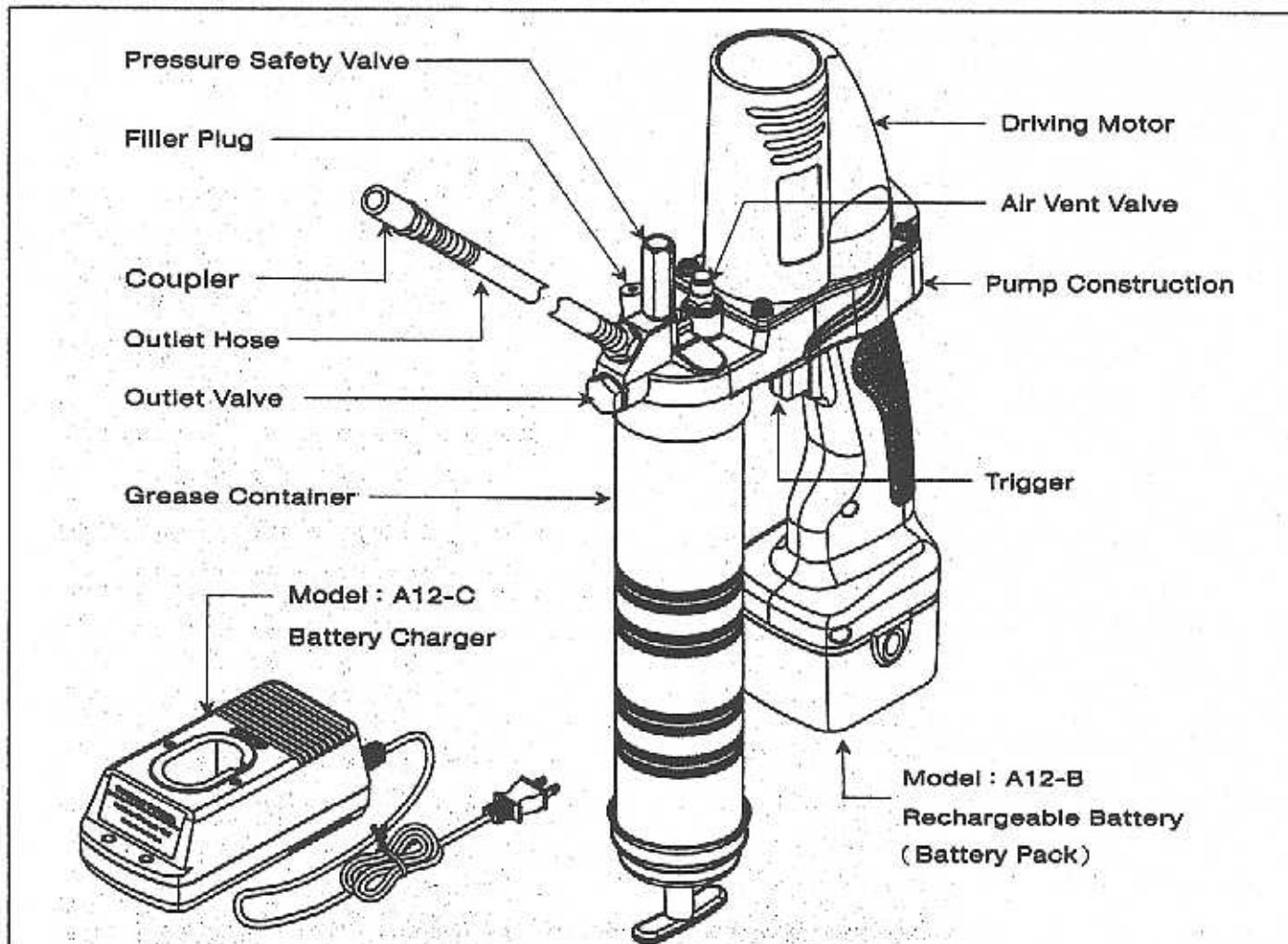
Rated Voltage : 120VAC 60 Hz.

Rated Consumption : 42 watts.

Charging Time : 1 hour.

Charging Voltage : 14.5 VDC.

Grease : Not Included.

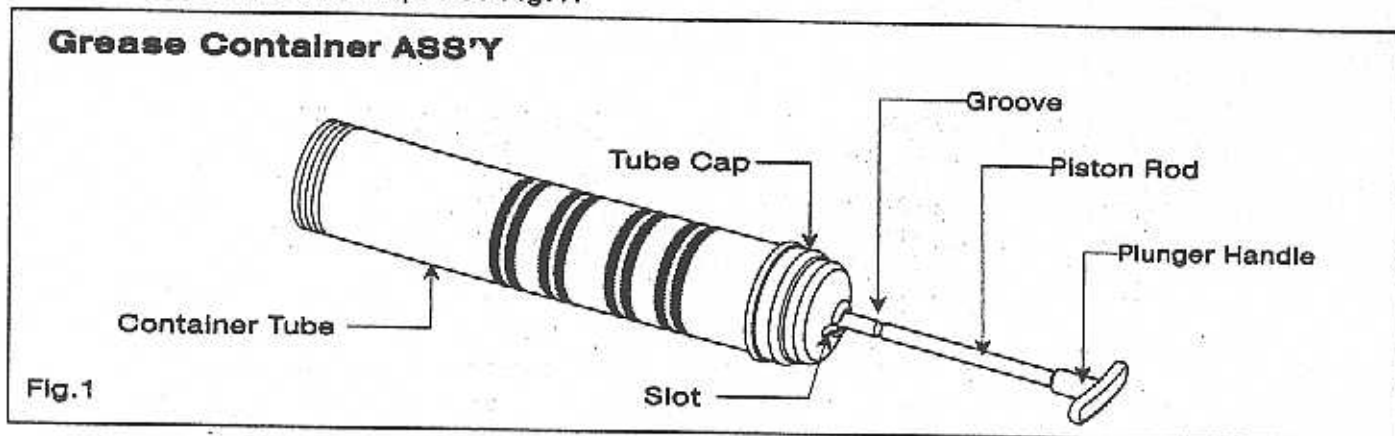


Grease Loading

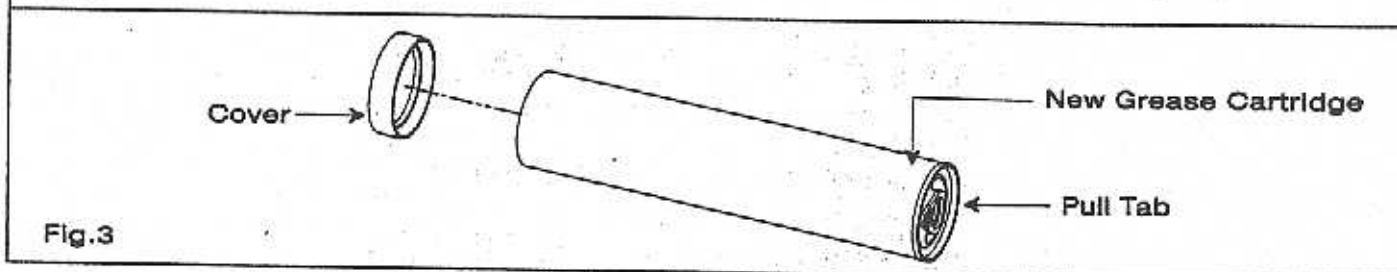
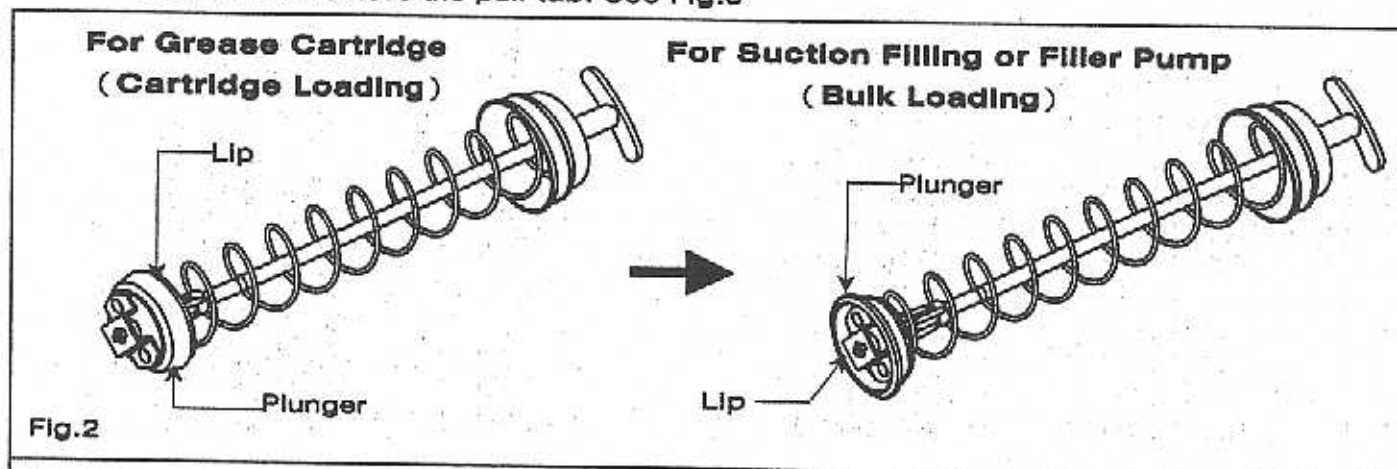
© There are three ways of grease loading.

(A) Cartridge Loading

1. Draw back plunger handle fully until the groove of piston rod is latched into the slot on the tube cap. See Fig.1.



2. Unscrew the grease container from the gun.
3. Slowly release the plunger handle to eject the empty cartridge from the container tube. Visually check the direction of plunger lip. See Fig.2. Draw back plunger handle fully until the groove of piston rod is latched into the slot on the tube cap. (This description is not applicable for new grease gun)
4. Remove the cover from new grease cartridge and insert cartridge into the container tube. Then remove the pull tab. See Fig.3



5. Screw grease container ass'y into grease gun.
6. Release the piston rod from slot and push it all the way in.
7. This gun is ready to use. If your gun fails to work, it is due to air pocket in the grease container ass'y. To remove the air, procedure as following :

Remove Air Pocket

- Continue to hold trigger switch meanwhile press/release air vent valve until trapped air is removed.
- If the gun still fails to work. Draw back the piston rod fully and 'Engaging' it with plunger by rotating the plunger handle about $1/4 \sim 1/2$ turns to set the position of key. See Fig.4

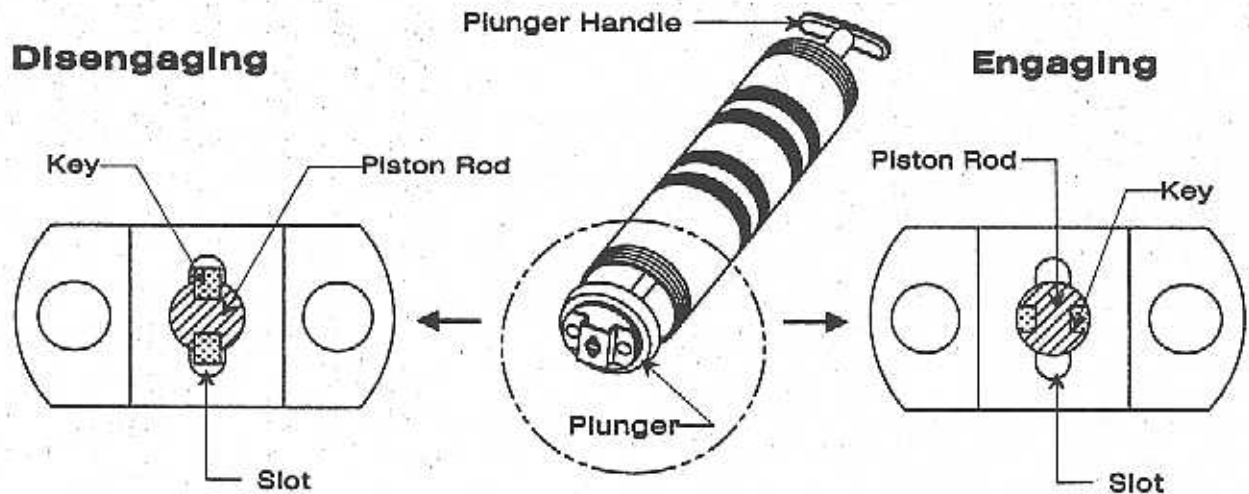


Fig.4

- Press/release air vent valve several times to release the air when push plunger handle.
- Repeat item a. procedure until trapped air is removed.
- 'Disengaging' the plunger by rotating the plunger handle about $1/4 \sim 1/2$ turns.
Push plunger rod all the way in.

(B) Suction Filling (From Bulk Container)

- Unscrew and dis-assemble tube cap from the container tube as Fig.5

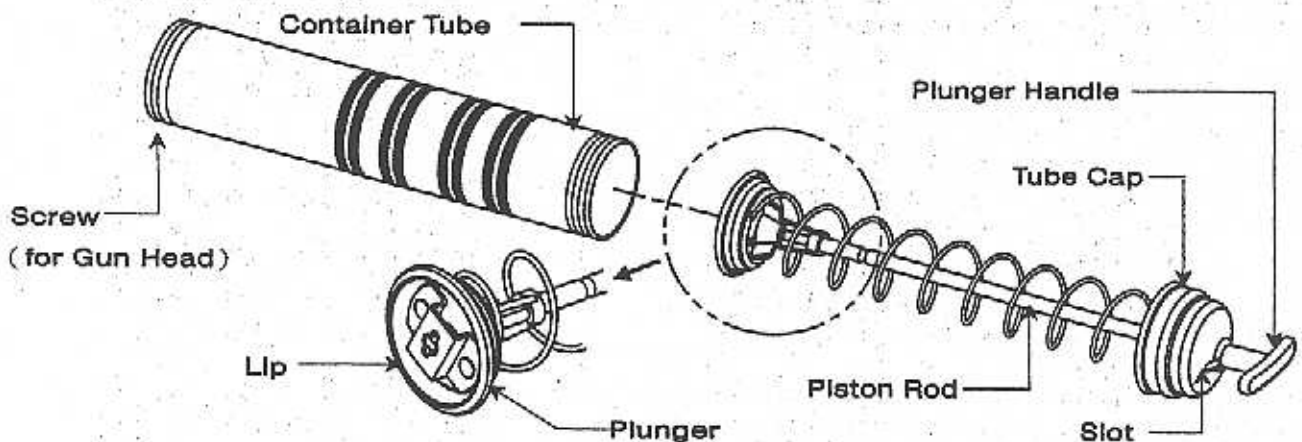


Fig.5

- Visually check the direction of plunger lip. Fig.2
- Change the lip direction of plunger by your finger. The lip must be directed toward the gun head.

Grease Loading

4. Screw and re-assemble tube cap from the container tube.
5. Insert the open end of grease container ass'y into lubricant of bulk container.
Draw back piston rod slowly while pushing the grease container ass'y deeper into the lubricant to prevent air pocket. See Fig.6
6. When piston rod is fully extended, latch the groove of piston rod into the slot of tube cap.

Suction filling



Fig.6

Filler Plug

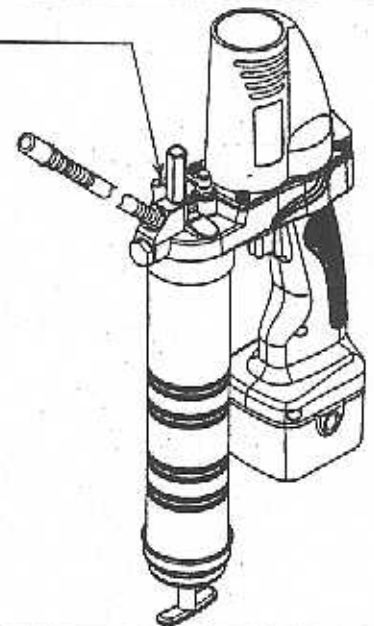


Fig.7

7. Screw grease container ass'y into gun.
8. Release the piston rod from slot and push it all the way in.
9. This gun is ready to use. If your gun fails to work, to remove the air, procedure as 'Remove Air Pocket'.

(C) Loading With Filler Pump

1. Set the plunger in 'Engaging'. See Fig.4
2. Fit the filler plug Fig.7 with the socket of filler pump.
3. Piston rod will be extended fully when the level of filler pump is operated. See Fig.8
4. Set the plunger in 'Disengaging'. Push piston rod all the way in.

Loading with filler pump

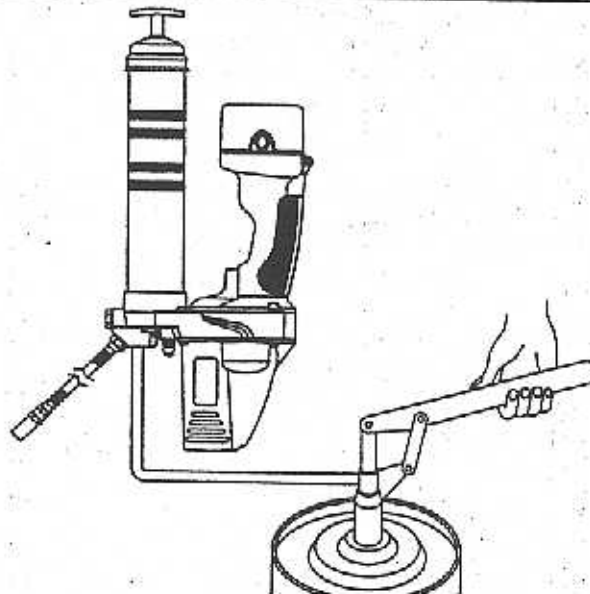


Fig.8

Safety Instructions

Do not attempt to operate this grease gun until you have read and understand all manual instructions.

1. Always wear eye safety gear when working with or in the vicinity of the grease gun.
2. During grease injection could cause a very serious injury because the grease gun can reach up to 6000psi pressure. Only hold the hose spring guard of hose when grease gun is in operation.
3. Don't bend the hose that it could be form a kick.
4. Need replace the hose if it were kicked, deformed or damaged.
5. Don't continuously press trigger when grease gun is stalled. Because it could damage the motor and cause fire.
6. If the battery pack is not in use. Always keep away from other metal objects like: nails, screws, coins, paper clips or other metal objects. It could make short terminals of battery pack, fire or spark may be occurred.
7. **Service must be performed only by qualified repair personnel and original parts. Service or maintenance performed by unqualified personnel may result in a risk of injury.**

Battery Charge

Caution : charge only NI-cd battery pack model A12-B · charging other types of batteries may burst causing personal injury.

Specification of battery pack :

Model : A12-B

Nominal Voltage : 12Vd.c

Capacity : 1300mAH

Batteries : Nickel - Cadmium Rechargeable type, assembled by 10 cells.

Charging Instruction :

1. New battery pack is shipped in an uncharged state and must be charged prior to first use. It will take 12 hours to charge.
2. Charger is plugged into a 120VAC outlet only.
3. Remove the battery pack from tool or case and insert terminals down into charger. The red light indicating that the battery pack is charging.
4. When you finish battery charging, the light will turn from red to green. That means the battery pack is fully charged. And the green light will still on even you don't remove the battery pack. That is automatically turn to trickle charger mode. The trickle charger will be on until you remove the battery pack
5. Unplug the charger from 120VAC outlet.

Note :

1. Do not charge battery outdoors or in temperatures below 32°F(0°C) or above 104°F(40°C).
2. Battery pack can't get a full charge if it is charged immediately after use. Because it is still hot. Allow it cool down to room temperature before charging.

Charging Time :

First charge (new battery pack) -----12 hours

Discharged battery pack-----1 hour

Battery Disposal :

The battery pack contains cadmium and must be recycled or disposed of properly.

It is illegal in some areas to place a nickel-cadmium battery into the trash or solid waste stream. You may contact your local recycling center for information on where to return the spent battery or call 1-800-8 battery (1-800-822-8837) for information on NI-cd battery recycling in your area.

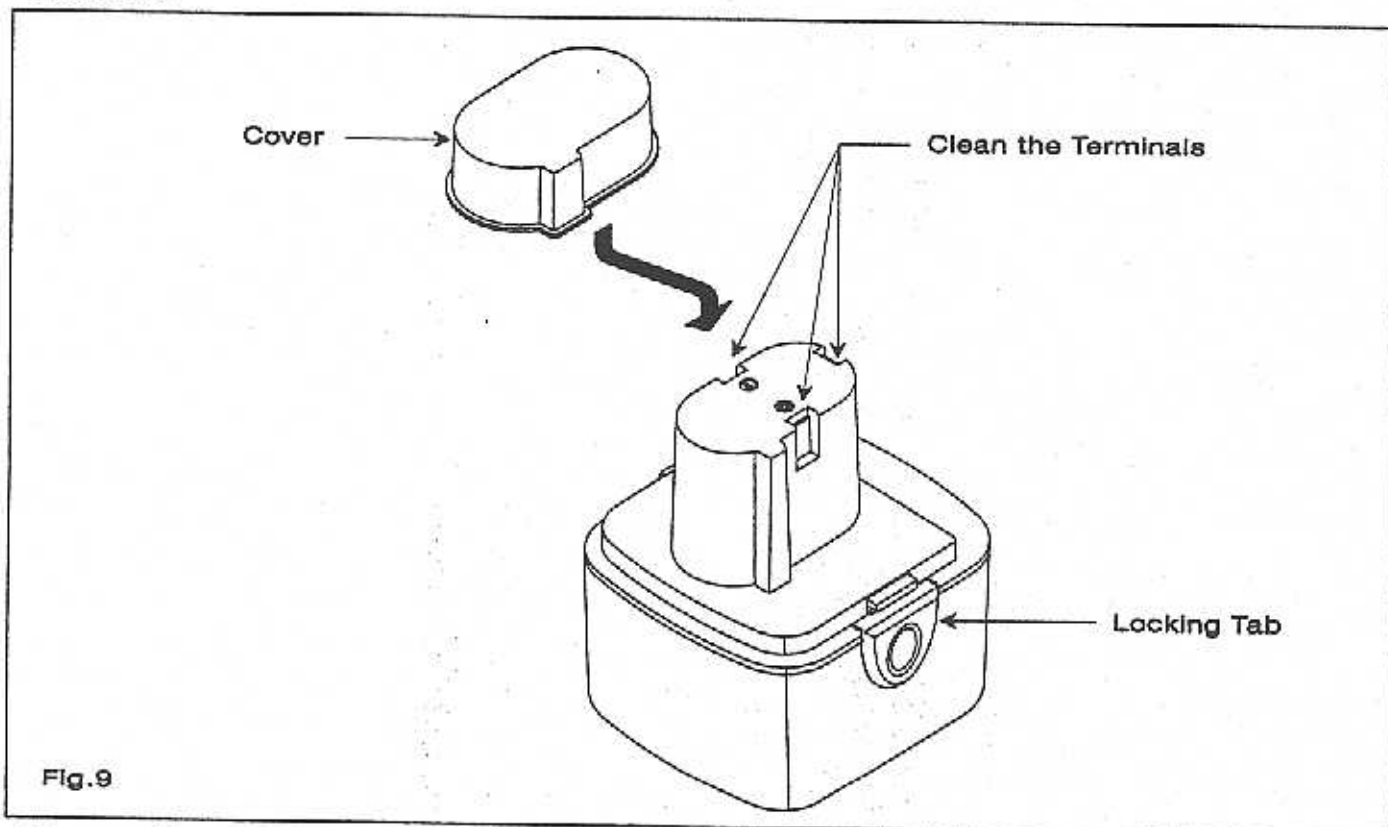
Use and Care

Inserting Battery Pack

1. Load the battery pack, contacts first, into the grease gun.
2. Push battery pack fully forward into its locked position.
3. To remove battery pack, push down on locking tab and slide battery pack out. See Fig.9

Note : If battery pack is left in tool for an extended period, the battery will discharge completely and will require recharging.

Important : Should your battery terminals become corroded and cause poor electrical contact, clean the terminals using a fine emery cloth. Always keep cover on the battery terminals.



Operation

Air pockets in the lubricant will cause the gun to lose its output. Always keep the air vent valve in 'open' position. Operate the gun until grease flows from the hose.

Important : Do not continue to hold down trigger if grease gun is stalled. This could damage the motor or cause fire.

Pressure Safety Valve

This valve is set to 6,000psi pressure by factory. It will bypass grease output when blocked lubricant line or clogged bearing is occurred. It indicates to repair or to clean before use.

Important : Do not try to adjust this valve. It may result in a risk of injury.

Troubleshooting

SYMPTOM	POSSIBLE	CORRECTIVE ACTION
Battery does not appear to accept charge when the battery pack is plugged into charger.	Charger or batter terminals may be corroded or remained dirty.	Clean the terminals with a fine emery cloth.
	Battery damaged or cycle life exhausted.	Replace battery pack.
	Damaged charger (It gets hot make exclusively loud noise, or smoke during charge .)	Unplug from power source immediately. Replace charger.
Motor does not run.	Battery pack is not charged.	Charge battery pack.
	Battery terminals may be dirty or corroded.	Clean the terminals with a fine emery cloth.
	Motor may be bad.	Replace motor.
Grease output bypass from pressure safety valve.	Clogged bearing, block lubricant line.	Repair or clean before use.
	Pressure safety valve may be remained dirty.	Replace pressure safety valve.
Gun does not delivery grease.	Air pocket exists In the grease container ass'y.	See procedure 「Remove Air Pocket」.
	The plunger may be blinded.	Replace grease container ass'y.
	Outlet valve may be remained dirty.	Unscrew and clean ball seat area.