

LIQUIDYNAMICS

2 Wheel Drum Cart

Model 51004C

Instruction & Parts Manual

Introduction;

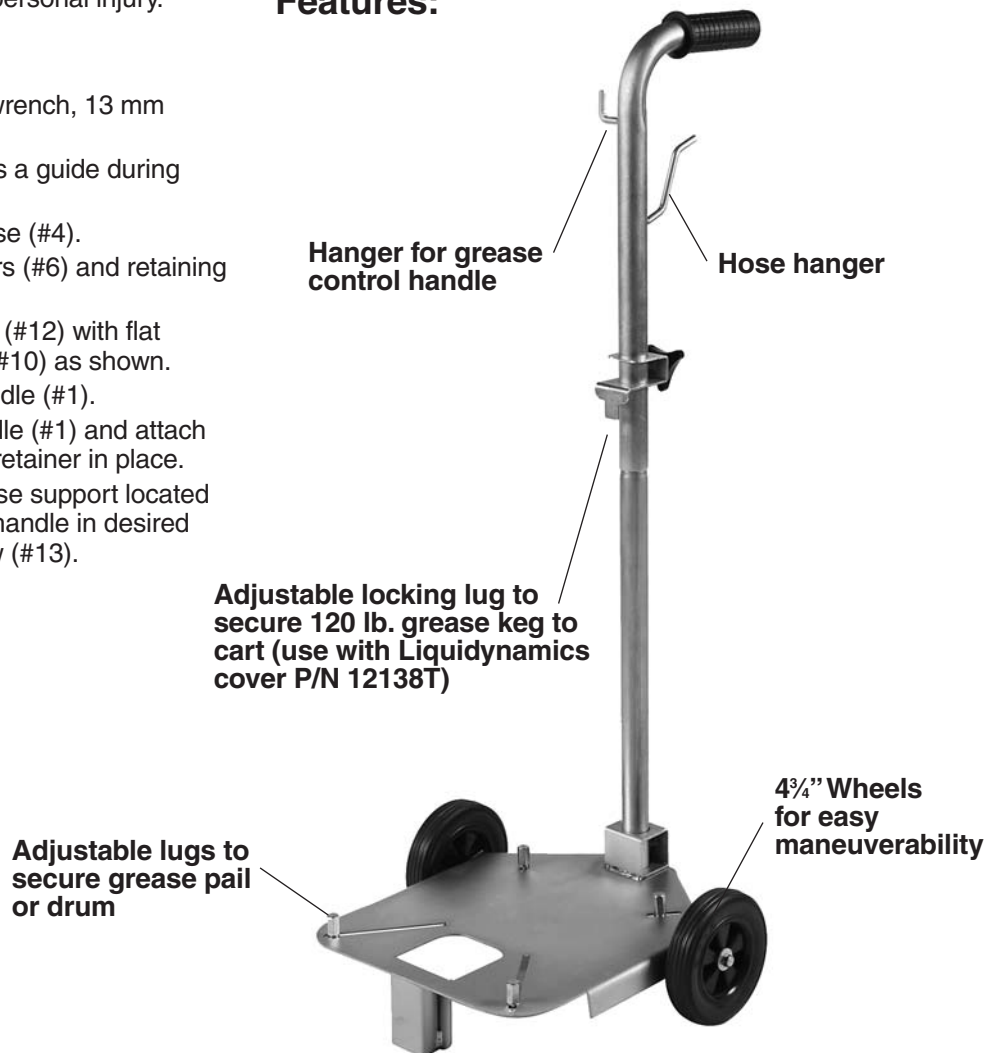
The Model 51004C drum cart is designed to be used with 35 to 120 lb. grease pails and drums. The two wheel design offers significant advantages in handling and control of grease drums, thus reducing the possibility of equipment damage or personal injury.

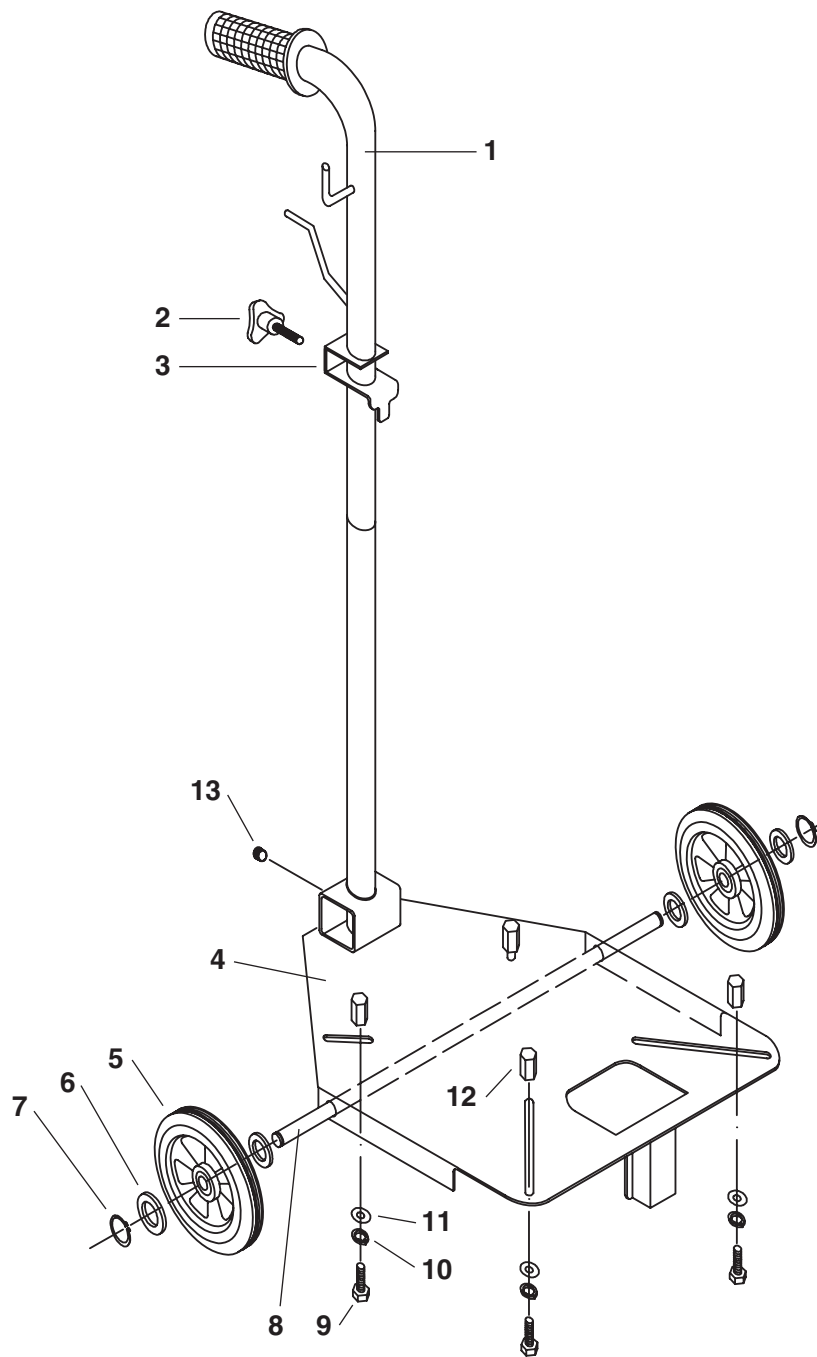
Assembly:

Note: You will require a 5 mm Allen wrench, 13 mm and 14 mm wrenches.

1. Use the exploded parts drawing as a guide during assembly.
2. Slide wheel shaft (#8) into cart base (#4).
3. Assemble wheels (#5), flat washers (#6) and retaining ring (#7) to shaft (#8) as shown.
4. Assemble adjustable drum guides (#12) with flat washers (#11) and lock washers (#10) as shown.
5. Screw together both halves of handle (#1).
6. Slide drum retainer (#3) onto handle (#1) and attach locking knob (#2) to secure drum retainer in place.
7. Slide the handle assembly into base support located on the cart base (#4) and secure handle in desired position with 5 mm Allen set screw (#13).

Features:





Exploded Parts Items – Cart Model 51004C:

1.	P/N S4310-01	Two Piece Handle w/Rubber Grip
2.	P/N S4300-02	Locking Knob
3.	P/N S4310-03	Drum Retainer
4.	P/N S4310-04	Cart Base
5.	P/N S4310-05	Wheel, 6" Dia.
6.	P/N S4310-06	Flat Washer
7.	P/N S4310-07	Retaining Ring

8.	P/N S4310-08	Wheel Shaft, Axel
9.	P/N S4310-09	Bolt, 1/2" x 13 mm
10.	P/N S4310-10	Lock Washer
11.	P/N S4310-11	Flat Washer
12.	P/N S4310-12	Adjustable Lug
13.	P/N S4300-13	Allen Screw, 5 mm