

LIQUIDYNAMICS

Drum Cart

Model 51009C

Instruction & Parts Manual

Introduction;

The model 51009C heavy duty drum cart is designed to be used with 420 lb. grease drums and 55 gallon oil drums. The cart design offers significant advantages in handling and control of these type drums, thus reducing the possibility of equipment damage or personal injury.

The 51009C cart design incorporates a built in tool shelf, sturdy reel mounting bracket, pump holding fixture with removable drip cup and hanger bracket for storage of hose and control handle. One of the swivel wheels has an incorporated foot brake to secure the cart in position. Cart incorporates large 8" swivel casters and 10" fixed wheels with needle bearings for easy maneuverability over rough floors.

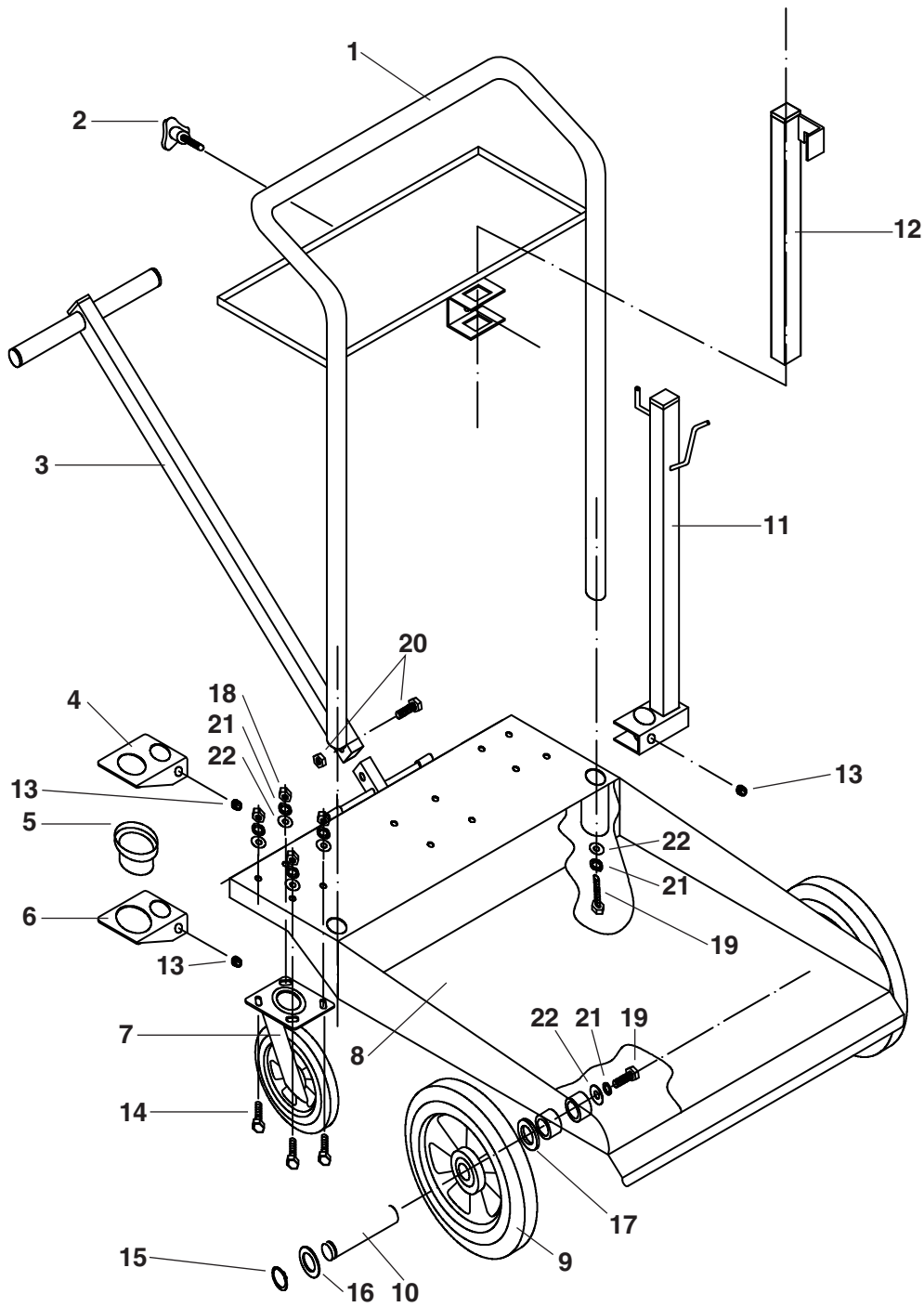
Assembly:

Note: You will need a 5 mm Allen wrench, 14 and 17 mm open or box wrenches.

1. Use the exploded parts drawing as a guide during assembly.
2. Attach the left and right wheel shafts #10 using 1" x 17 mm bolts, flat washer and lock washer, #'s 19, 21 and 22.
3. Assemble 6 mm thick washer, #17, onto wheel shaft, slide on wheel, #9, 3 mm thick washer, #16, and 'C' clip retainer to hold assembly in place.
4. Attach swivel caster #7 to cart base using 17 mm" bolts, #14, flat washers, #22, lock washer, #21 and 17 mm nuts, #18.
5. Slide the two pump retainer brackets, # 4 & 6 onto cart handle #1 as shown. Take care to assemble the bracket for the drip cup in the lower position. These may be assembled on either side of the handle, according to user preference. Secure in place with 5 mm Allen screws, #13.
6. Slide the hose/control valve hanger bracket #11 onto the handle as shown and secure with 5 mm Allen screw #13.
7. Position handle assembly onto cart as shown. Fasten handle onto base with 1"x17 mm bolts, lock washer and flat washer, #19, #21, and #22.
8. Slide Tow Bar #3 into receptacle on base as shown and secure with 1½"x14 mm bolt and nylock nut, #20.
9. Insert drip cup #6 into lower pump bracket.

Features:





Exploded Parts Items – Cart Model 51009C:

1	P/N S4300-01	Handle
2	P/N S4300-02	Locking knob
3	P/N S4300-03	Tow bar
4	P/N S4300-04	Pump retainer bracket, upper
5	P/N S4300-05	Drip cup
6	P/N S4300-06	Pump retainer bracket, lower
7	P/N S4300-07	Swivel Caster, w/ brake, 8"
7a	P/N S4300-07a	Swivel Caster, w/o brake, 8"
8	P/N S4300-08	Cart base
9	P/N S4300-09	Fixed wheel, 10" dia.
10	P/N S4300-10	Axle, fixed wheel

11	P/N S4300-11	Hose/control valve hanger bracket
12	P/N S4300-12	Drum retainer bracket
13	P/N S4300-13	Allen screw, 5mm
14	P/N S4300-14	Bolt, 3/4" x 17mm
15	P/N S4300-15	Retaining ring, 'C' clip, 23mm
16	P/N S4300-16	Flat washer, 1.6" x 3mm
17	P/N S4300-17	Flat washer, 1.6" x 6mm
18	P/N S4300-18	Nut, 17mm
19	P/N S4300-19	Bolt, 1" x 17mm
20	P/N S4300-20	Bolt & nylock assy. 1 1/8" x 14mm
21	P/N S4300-21	Lock washer
22	P/N S4300-22	Flat washer